

## Mixer for bladder tanks

### Standard characteristics

**Body size:** From 3" to 8"

**Body Material:** Carbon Steel

**Inlet and outlet flanges:** ANSI 150# RF according to the size

**Design pressure:** 12 barg

**Coating:** Epoxy Primer + Polyuretanic red coat RAL3000,  
Total DFT >120 µm

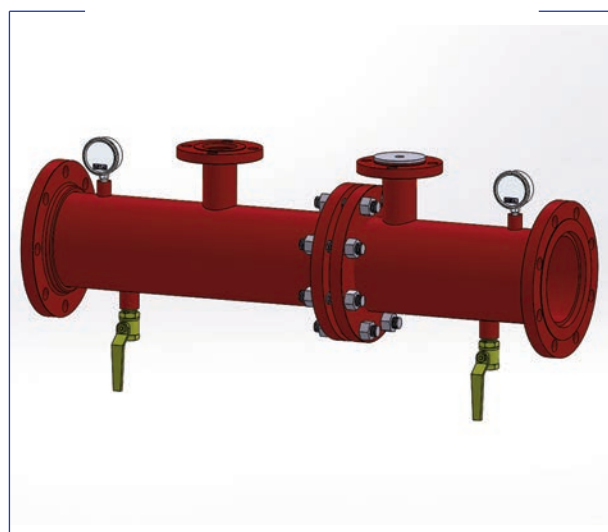
**Calibrated water nozzle between flanges:** In stainless steel

**Foaming nozzle:** In stainless steel

**Upstream and downstream pressure gauges:** Scala 0÷25 barg

**STD working range:** 1÷10

### Approvals



### Notes

In case of inquiry and/or order specify the following datas:

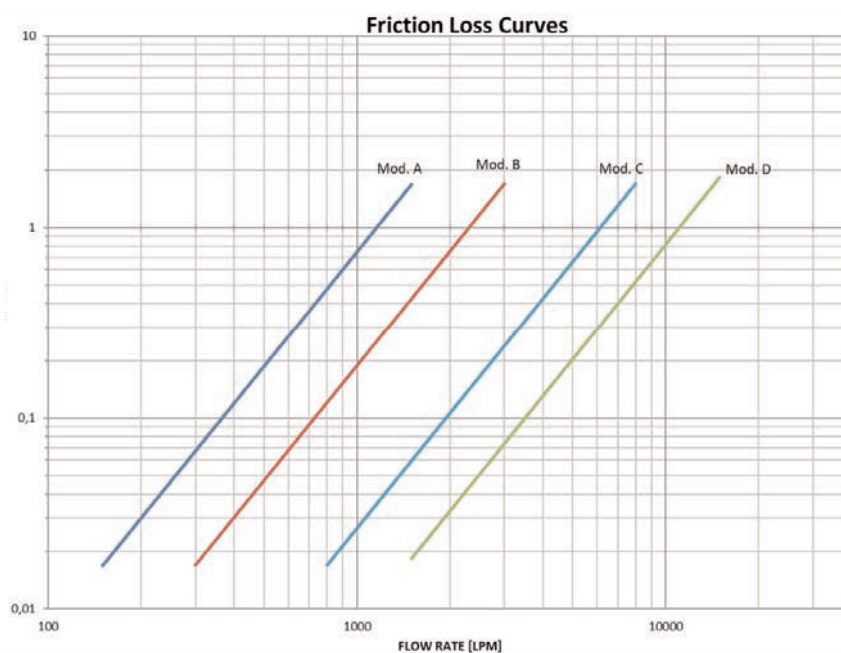
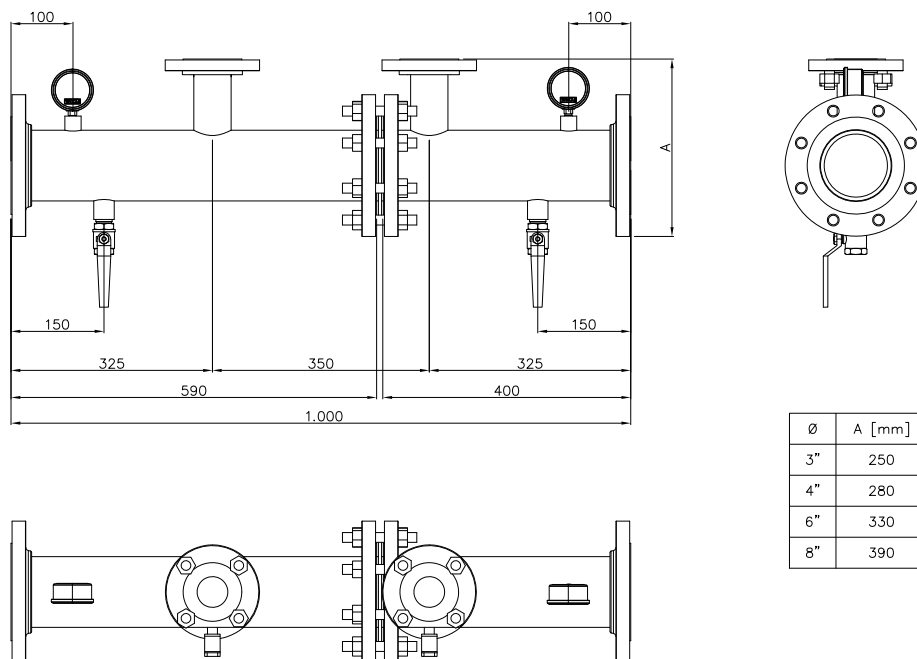
> Flanges type, body diameter, body material

### Available on Demand

- > Body Material: Other Material
- > Inlet and outlet flanges: Other type
- > Other Design Pressure
- > Other Body Size
- > Coating: Other Painting Cycles

[www.fasspa.net](http://www.fasspa.net)

# Mixer for bladder tanks



The Friction Loss Curves are based on Hydraulic Calculations according to NFPA Standard  
 Contact FAS Team for specific pressure loss depending by Hydraulic Calculation of your system

MIXER	FLOW RATE RANGE [LPM]	Ø WATER NOZZLE [MM]
MOD. A	150 ÷ 1500	STD
MOD. B	300 ÷ 3000	STD
MOD. C	800 ÷ 8000	STD
MOD. D	1500 ÷ 15000	STD

[www.fasspa.net](http://www.fasspa.net)