

Mod. DA

Self oscillating device made in steel

Standard characteristics

Body Size: 3", 4"

Body material: Carbon steel

Automatic oscillation with hydraulic motor: From 0° to 360°

Design pressure: 18 barg

Test Pressure: 27 barg

Standard flanges: Carbon steel

Coating: Epoxy Primer + Polyuretanic red coat RAL3000
Total DFT >120 μm

Weight (Max, for carbon steel execution): 3": ~25 Kg
4": ~35 Kg

Notes

In case of inquiry and/or order specify the following datas:

> Body material, Flanges' diameter and material, Working pressure

Available on Demand

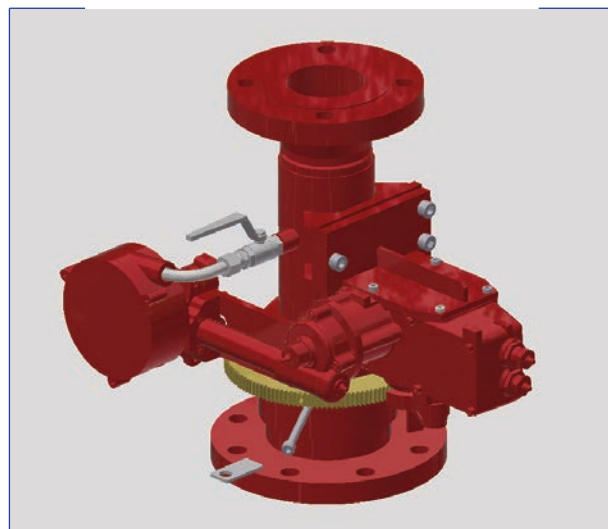
> Body material: Stainless steel

> Design Pressure: Other

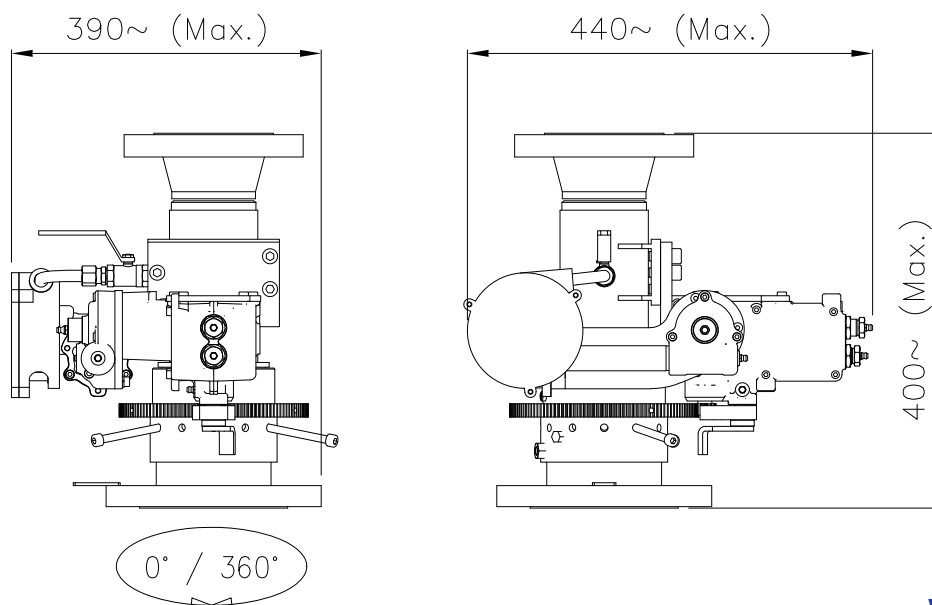
> Flanges: Other Material & Type

> Coating: Other painting cycles

Approvals



Layout & Overall Dimension



www.fasspa.net