

## Mod. DS o DD

Baffle plates: single (DS) and double (DD)

### Standard characteristics

**Body material:** Stainless steel

**Actuation:** Manual with handwheel

**Regulation device:** Stainless steel - Gears in Bronze

**Coating:** Epoxy Primer + Polyuretanic red coat RAL3000,  
Total DFT >120 µm

**Weight (only device):** DS-3: ~2 Kg  
DS-4: ~3 Kg  
DS-5: ~4 Kg  
DD-3: ~4 Kg  
DD-4: ~11 Kg  
DD-5: ~12 Kg

### Approvals



### Notes

In case of inquiry and/or order specify the following datas:

> Actuation type

### Compatible foam branchpipes

> LS, LSA

### Available on Demand

> Oil Hydraulic actuation

> Electric actuation

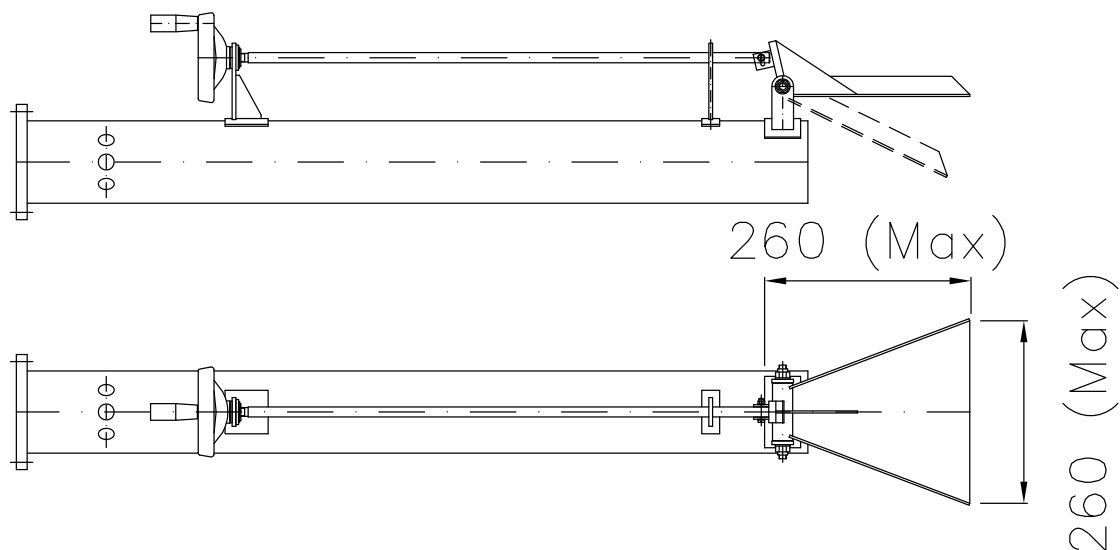
> Coating: Other Painting Cycles

[www.fasspa.net](http://www.fasspa.net)

## Mod. DS o DD

Baffle plates: single (DS) and double (DD)

### Layout & Overall Dimension - Mod. DS



### Layout & Overall Dimension - Mod. DD

