

## GN NOZZLE KEY CONFIGURATION

Mod. GN-E - Application for electric remote actuation

### Characteristics

**Actuation:** With electric motor + emergency manual handwheel

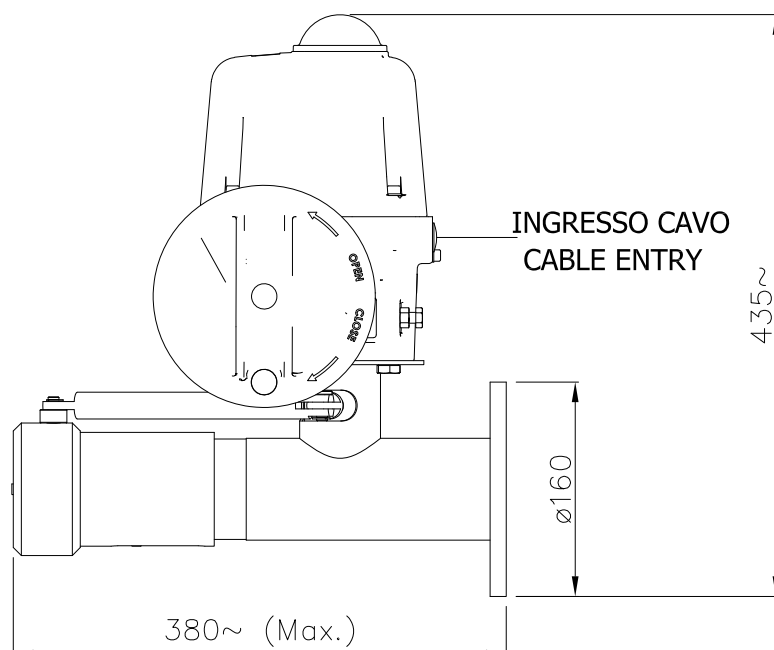
**Jet Type:** Fog, Full (Jet)

**Feeding voltage:** 240V AC 50/60 Hz. 1 ph.

**Weight:** ~ 12 Kg



### Layout & Overall Dimension - GN Nozzle with electrical actuation



[www.fasspa.net](http://www.fasspa.net)