

GN NOZZLE KEY CONFIGURATION

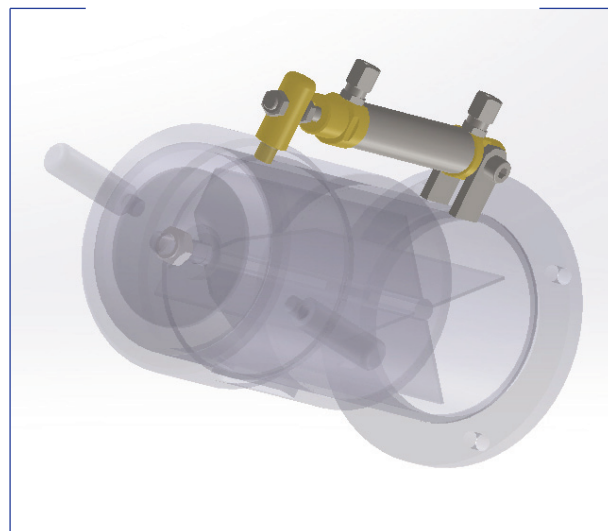
Mod. GN-O - Application for oil-hydraulic actuation

Characteristics

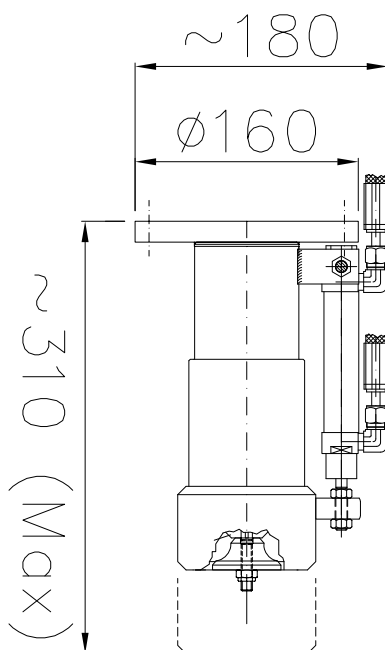
Actuation: Oil Hydraulic

Jet Type: Fog, Full (Jet)

Weight: ~ 8 Kg



Layout & Overall Dimension - GN Nozzle with oil-hydraulic actuation



www.fasspa.net