

Mod. IF

Foam branchpipe for floating roof tanks

Standard characteristics

Body Size: 2", 3", 4" Depending on requested flow rate

Flow Rate: From 200 to 2000 l/1' calculated at 5 barg

Body material: Carbon steel

Nozzle: Integrated in the inlet flange

Connection type: Flanged on request

Coating: Epoxy Primer + Polyurethane red coat RAL3000,
Total DFT >120 µm

Weight: 2": ~10 Kg

3": ~17 Kg

4": ~30 Kg

Expansion ratio: According to EU EN-13565-1 and NFPA 11 rules



Notes

In case of inquiry and/or order specify the following data:

- > Body material, Flanges diameter, Working pressure, Requested flow rate

Approvals



Available on Demand

- > Flow rates different from standard
- > Stainless steel body
- > Coating: Other painting cycles

www.fasspa.net

Mod. IF

Foam branchpipe for floating roof tanks

Layout & Overall Dimension

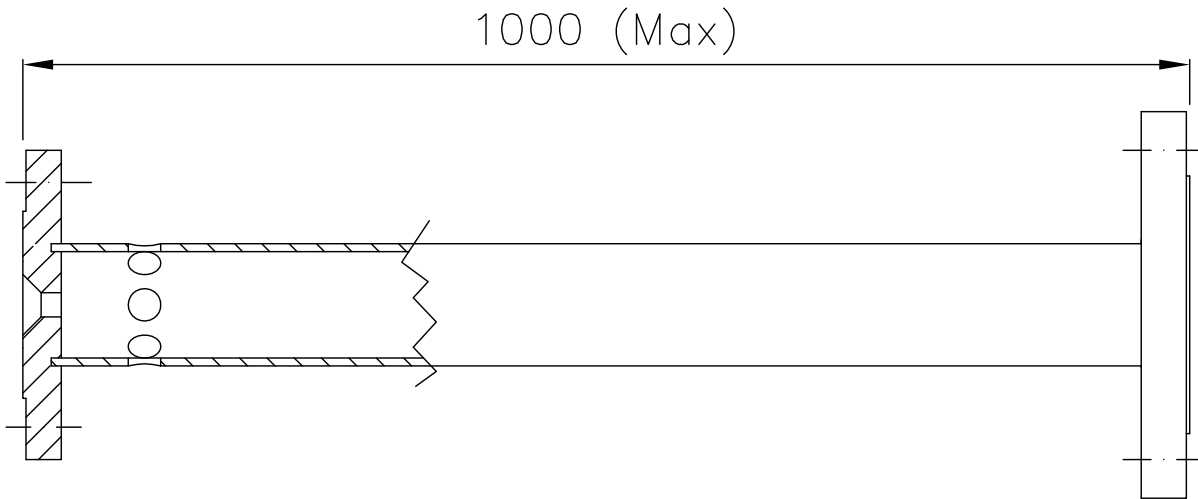
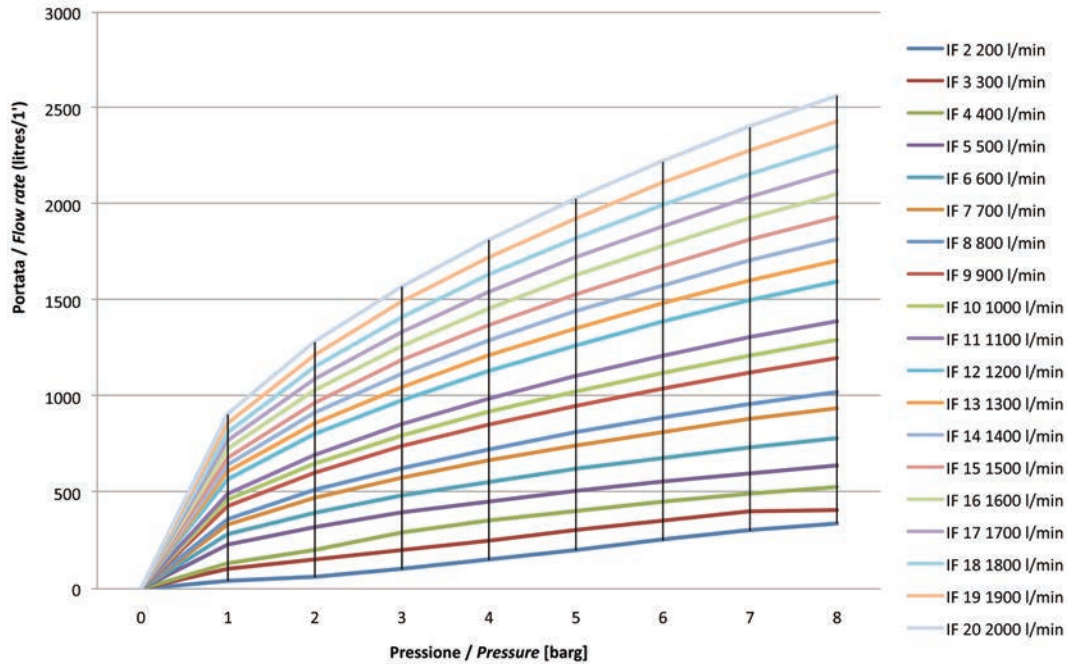


Grafico di portata - Flow rate diagram

Lancia - Branchpipe IF

Test eseguito da FAS nel Centro Test con misuratore di portata digitale AT 868 GE Panametrics
Test performed by FAS into Internal Test Center with digital flow-meter AT 868 GE Panametrics



www.fasspa.net