

Mod. K3

Trailer for monitors, with stabilizers for high pressures

Standard characteristics

Trailer material: Carbon steel

Typology: Single-axle trailer

Hose boxes suitable for n. 2 hoses
(For hoses, see dedicated page)

Parking brake with deadbolt

Flanged connection for monitor

Feeding: Double way with internal clapet

Galvanized folding stabilizers

Pneumatic tires

Coating: Epoxy Primer + Polyuretanic red coat RAL3000,
Total DFT >120 µm

Empty weight: ~120 Kg

Approvals



Notes

In case of inquiry and/or order specify the following datas:

- > Type of monitor, hose lenght, feeding connection type

Compatible monitors

- > MB3, MB4, DOC, MKW, MKL

Available on Demand

- > Feeding: Triple way feeding
- > Hot dip galvanized trailer frame
- > Solid tires
- > Coating: Other painting cycles

Optional

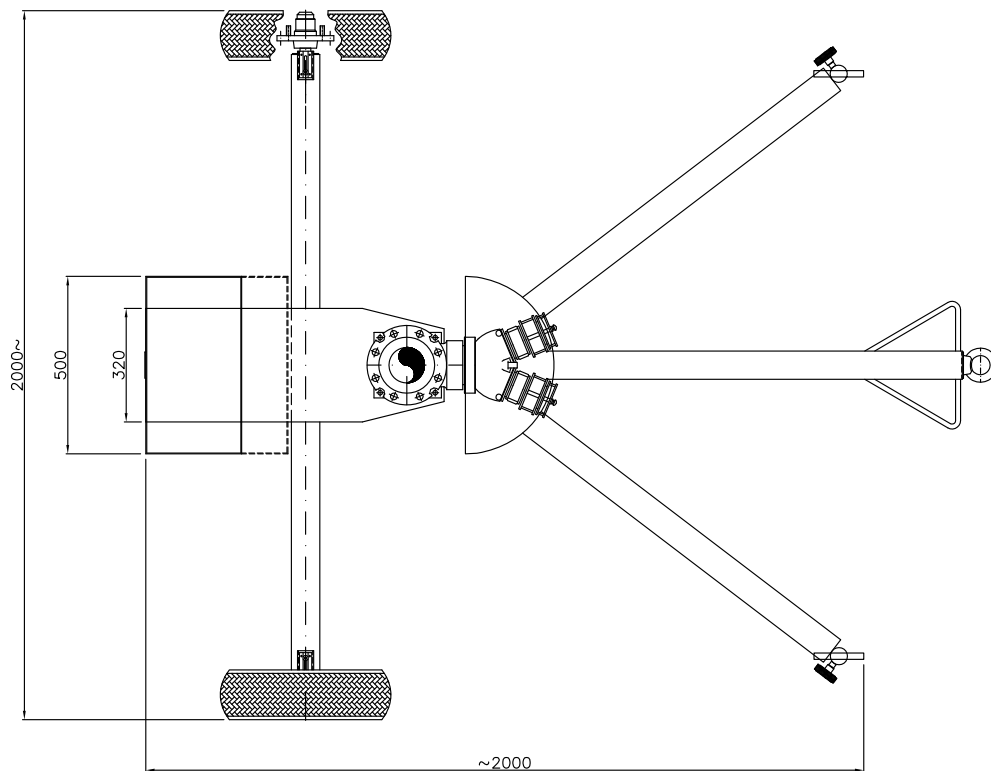
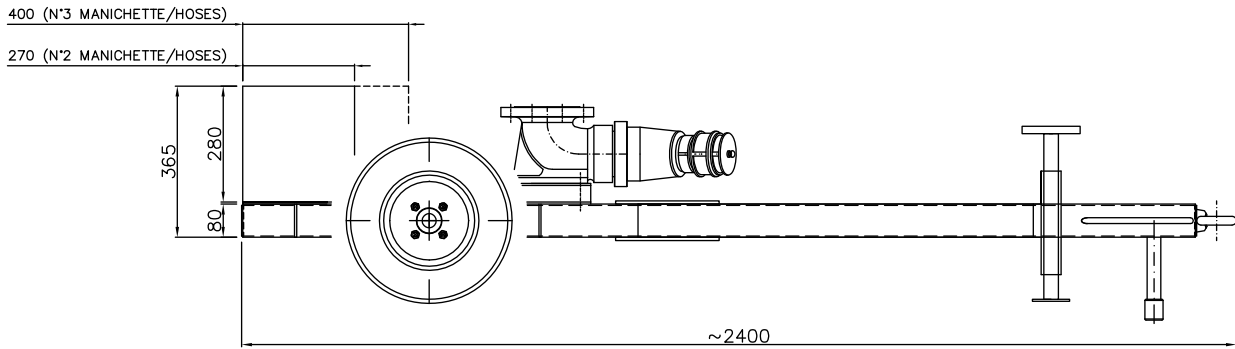
- > Box suitable for n. 3 hoses

www.fasspa.net

Mod. K3

Trailer for monitors, with stabilizers for high pressures

Layout & Overall Dimension



www.fasspa.net