

Mod. LV

Steam branchpipe

Standard characteristics

Body material: Stainless steel with inner ceramic fiber insulation

Nozzle material: Stainless steel

Connection type: Interception ball valve 1" BSP F

Coating: Epoxy Primer + Polyuretanic red coat RAL3000,
Total DFT >120 µm

Weight: ~5 Kg

Notes

In case of inquiry and/or order specify the following datas:

> Body material, Interception ball valve material

Available on Demand

> Stainless steel body in AISI 316

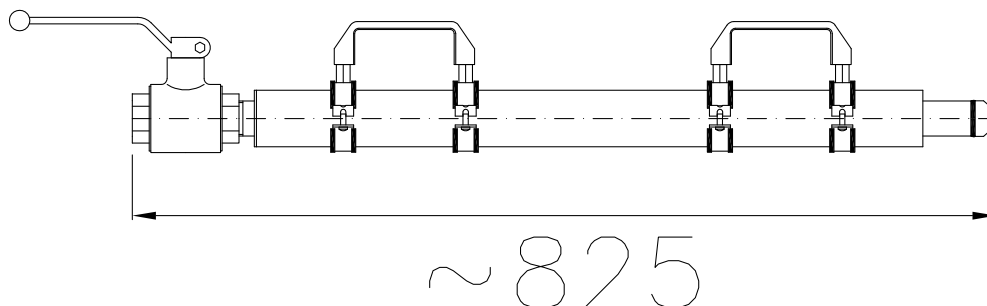
> Interception ball valve in stainless steel

> Coating: Other painting cycles

Approvals



Layout & Overall Dimension



www.fasspa.net