

Mod. MS

In-line foam inductor with adjustable suction percentage

Standard characteristics

Flow rate: From 200 to 1000 l/1' at 6 barg

Body material: Aluminum, AISI 304 or bronze

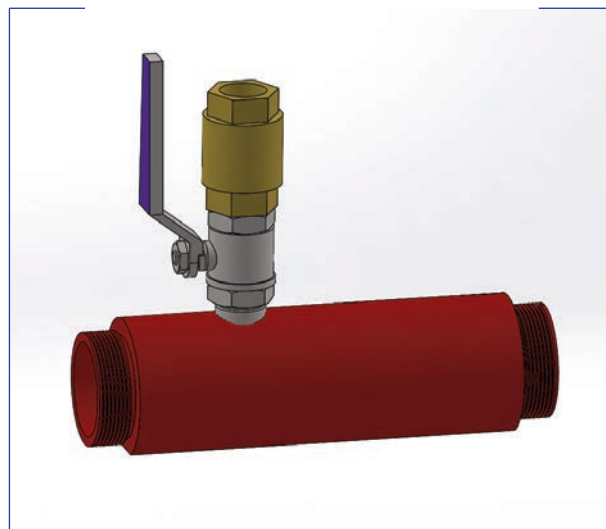
Nozzle: High resistance PVC

Mixing percentage: 0÷6%

Connection type: Threaded 2" BSP M (MS-2 ÷ 5)
Threaded 2 1/2" BSP M (MS-8)
Threaded 3" BSP M (MS-10)

Coating: Epoxy Primer + Polyurethane red coat RAL3000,
Total DFT >120 µm

Approvals



Notes

In case of inquiry and/or order specify the following data:

> Flow rate, Operating pressure, Body material,
mixing percentage

Available on Demand

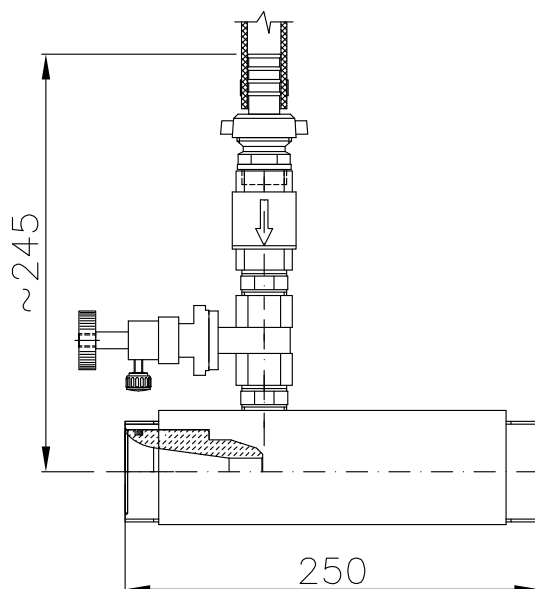
- > Inlet and outlet flanged or couplings
- > Body material stainless steel 316
- > Coating: Other painting cycles
- > Adjustable mixing percentage

www.fasspa.net

Mod. MS

In-line foam inductor with adjustable suction percentage

Layout & Overall Dimension



MODELLO MODEL	PORTATA FLOW RATE @ 6 barg	PESO ALLUMINIO ALUMINIUM WEIGHT	PESO BRONZO BRONZE WEIGHT	PESO AISI 304 S/S 304 WEIGHT
MS-2	200 l/1'	5 kg	9 kg	8 kg
MS-4	400 l/1'			
MS-5	500 l/1'			
MS-8	800 l/1'	6 kg	10 kg	9 kg
MS-10	1000 l/1'			