



Mod. NA-N

Water hose reel

Standard characteristics

Mounting position: On the floor

Side supports material: Carbon steel

Rotating joint material: Brass

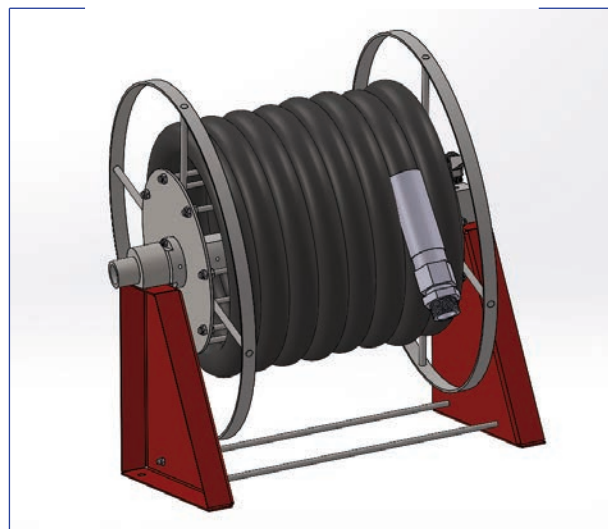
Discs Material: Stainless steel

NA-N Delivery hose: Non collapsable reinforced rubber, black Ø1", Ø1½" pinch jointed, available in 20, 30 meters

Coating: Epoxy Primer + Polyuretanic red coat RAL3000, Total DFT >120 µm

NA-N Weight: NA-1"-20-N ~43 Kg
NA-1"-30-N ~49 Kg
NA-1½"-20-N ~48 Kg
NA-1½"-30-N ~60 Kg

Approvals



Notes

In case of inquiry and/or order specify the following datas:

- > Diameter and lenght of hose reel

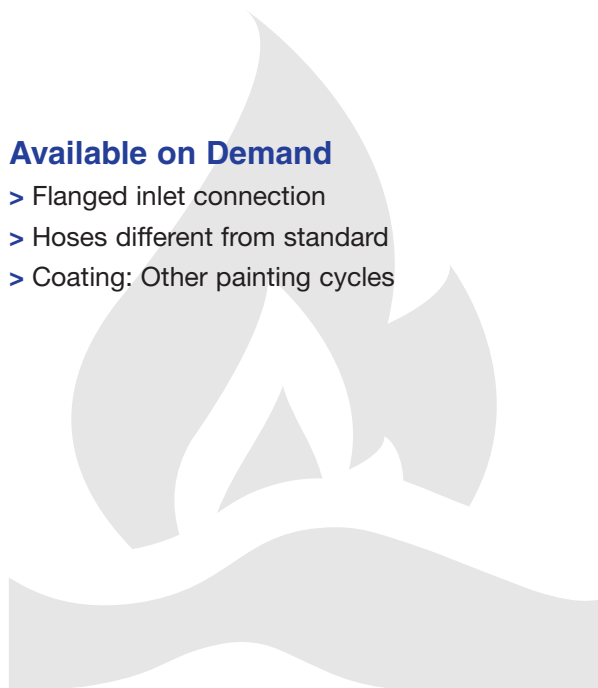
Optional

In case of inquiry and/or order specify the following datas:

- > Hose rewind lever
- > Feeding interception valve
- > Mounted on frame and/or in cabinet

Available on Demand

- > Flanged inlet connection
- > Hoses different from standard
- > Coating: Other painting cycles



www.fasspa.net



Mod. NA-N

Water hose reel

Layout & Overall Dimension

