

## Mod. NP-N

Powder hose reel

### Standard characteristics

**Mounting position:** On the floor

**Side supports material:** Carbon steel

**Rotating joint material:** Brass

**Discs Material:** Stainless steel

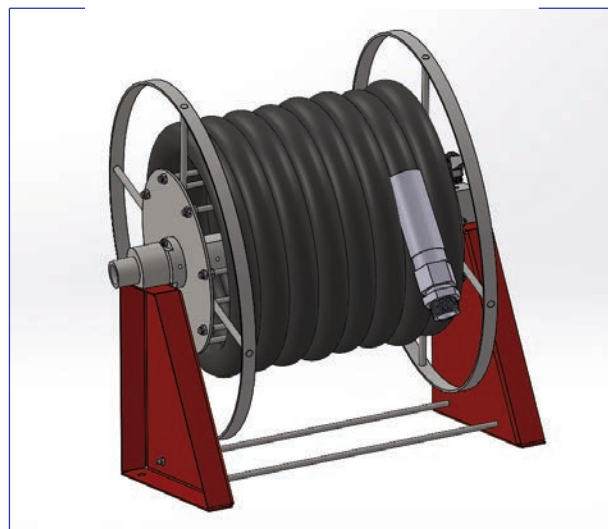
**NP-N Delivery hose:** Non collapsable reinforced rubber, black Ø1" pinch jointed, available in 20, 30 meters

**Coating:** Epoxy Primer + Polyuretanic red coat RAL3000, Total DFT >120 µm

**NP-N Weight:** NP-1"-20-N ~43 Kg

NP-1"-30-N ~49 Kg

### Approvals



### Notes

In case of inquiry and/or order specify the following datas:

- > Diameter and lenght of hose reel

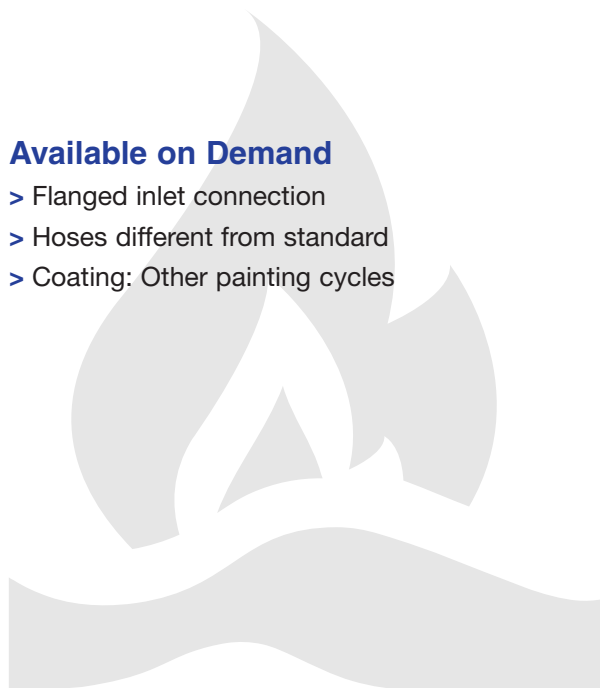
### Optional

In case of inquiry and/or order specify the following datas:

- > Hose rewind lever
- > Feeding interception valve
- > Mounted on frame and/or in cabinet

### Available on Demand

- > Flanged inlet connection
- > Hoses different from standard
- > Coating: Other painting cycles



[www.fasspa.net](http://www.fasspa.net)



# Mod. NP-N

Powder hose reel

## Layout & Overall Dimension

