

Mod. PS

Foam guns (PS)

Standard characteristics

Body material: "Anticorodal" light alloy

Barrel material: Carbon steel

PS Flow rate: 150 lt/1'

Nozzle: Stainless steel

Connection type: Threaded 1" BSP F

Coating: Epoxy Primer + Polyuretanic red coat RAL3000,
Total DFT >120 µm

PS Weight: ~ 2,5 Kg

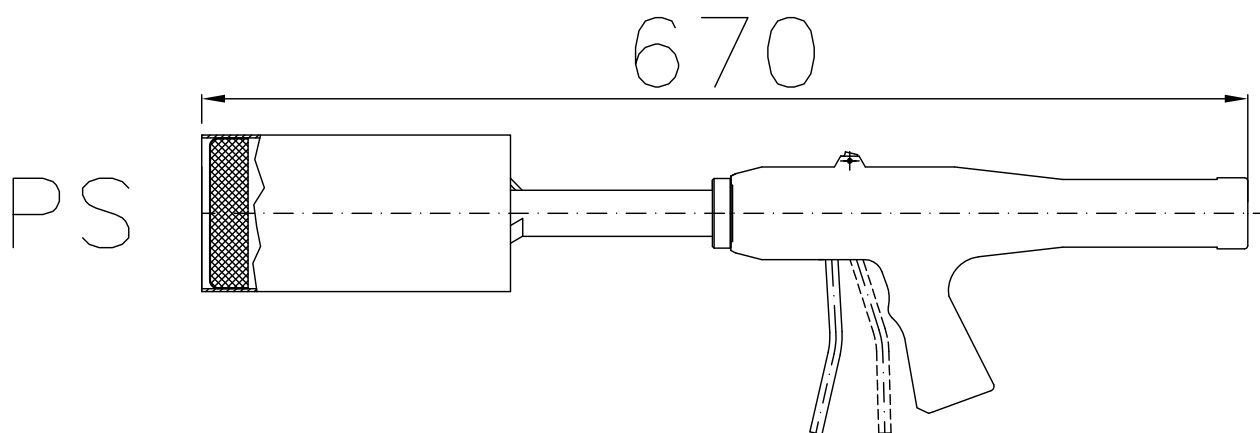
Available on Demand

- > Body in bronze
- > Reed in stainless steel
- > Coating: Other painting cycles

Approvals



Layout & Overall Dimension



www.fasspa.net