

SUPER GN NOZZLE KEY CONFIGURATION

Mod. Super GN-E - Application for electric remote actuation

Characteristics

Actuation: With electric motor + emergency manual handwheel

Jet Type: Fog, Full (Jet)

Feeding voltage: 240V AC 50/60 Hz. 1 ph.

Weight: ~ 18 Kg

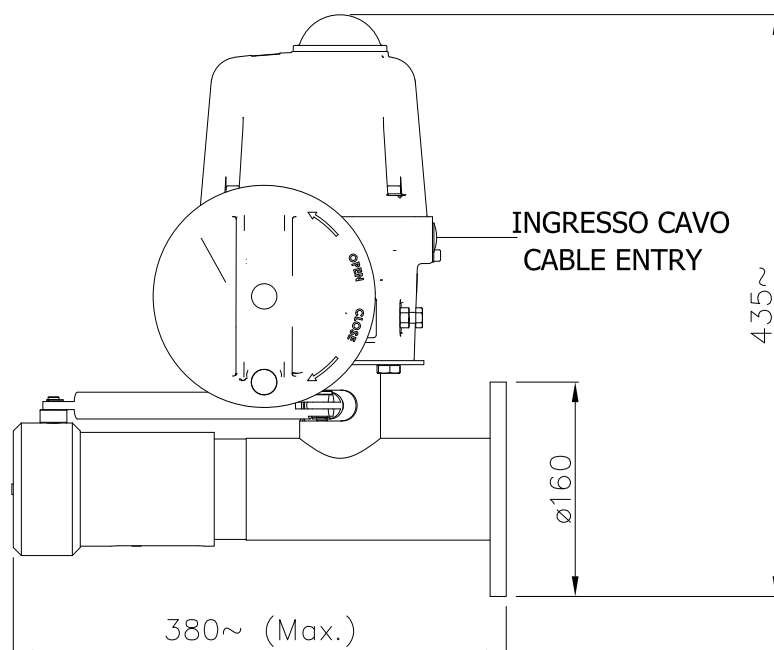


Compatible monitors

> DOC E, MKE



Layout & Overall Dimension - Super GN Nozzle with electrical actuation



www.fasspa.net