

SUPER GN NOZZLE KEY CONFIGURATION

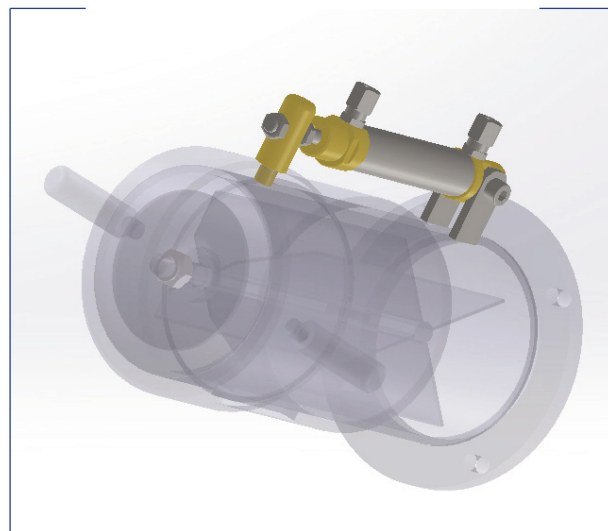
Mod. Super GN-O - Application for oil-hydraulic actuation

Characteristics

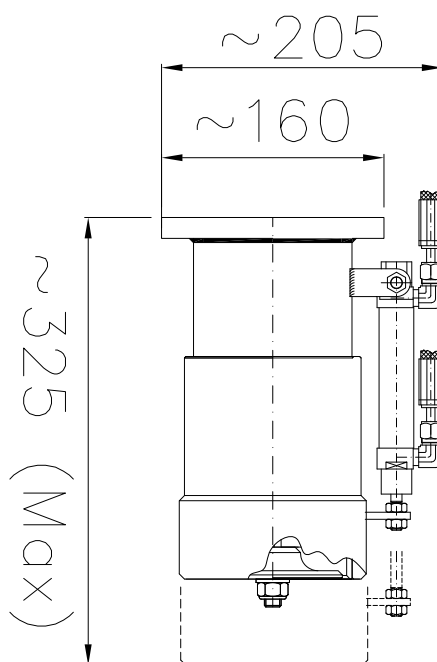
Actuation: Oil Hydraulic

Jet Type: Fog, Full (Jet)

Weight: ~ 12 Kg



Layout & Overall Dimension - Super GN Nozzle with oil-hydraulic actuation



www.fasspa.net