

MONITOR DOC

Monitor in Bronze or corrosion proof light alloy

Mod. 2V - Manual control with double handwheel

Standard characteristics

Body Size: ~ 125 mm (casting)

Maximum Body Flow Rate: Max. 8600l/m

Pressure Loss: See diagram ΔP Vs Flow rate

Flow rate: On customer Request link to compatible nozzles or branchpipes

Flow rate recommended: See diagram Pressure Loss Vs Flow rate.

Recommended maximum pressure loss: 1,2 barg

Rotation with handwheel: 360° continuous

Elevation and deflection with handwheel: ~ +90° - 70°

Horizontal throw: See dedicated page on compatible nozzles or branchpipes

Test Pressure: 27 barg - **Custom. req.** Up to 48 barg

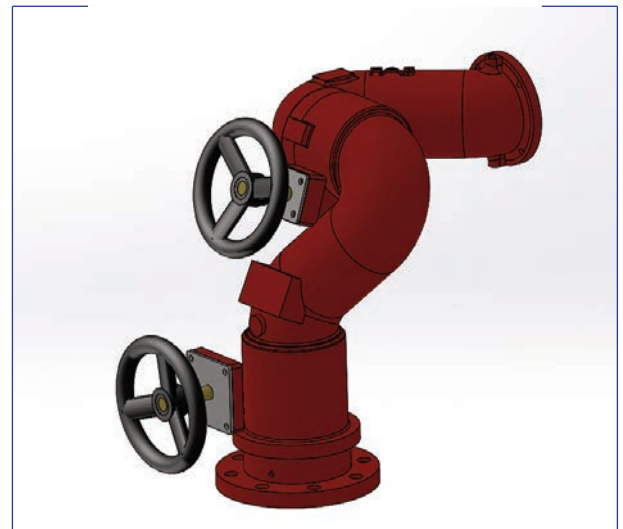
Base Flange: Carbon Steel

Outlet Flange: External diameter \varnothing 160 mm

Coating: Epoxy Primer + Polyuretanic red coat RAL3000, Total DFT >120 μ m

Weight: Bronze: ~55Kg - Light alloy: ~32Kg

Approvals



Optional

- > Pressure gauge on outlet
- > Drain Valve
- > Nozzle for thermal irradiation protection

Compatible Nozzles Or Branchpipes

- > Foam and self inducing foam branchpipes mod. LS and LSA
- > Water branchpipe mod. LA
- > Jet spray nozzles mod. GN - Super GN
- > Jet spray self inducing nozzles mod. GNA & Super GNA

Available on Demand

- > Base Flange: Other material
- > Outlet Flange: Other outlet connection with adapter (NH, Ghost, Storz)
- > Coating: Other painting cycles

Key configuration

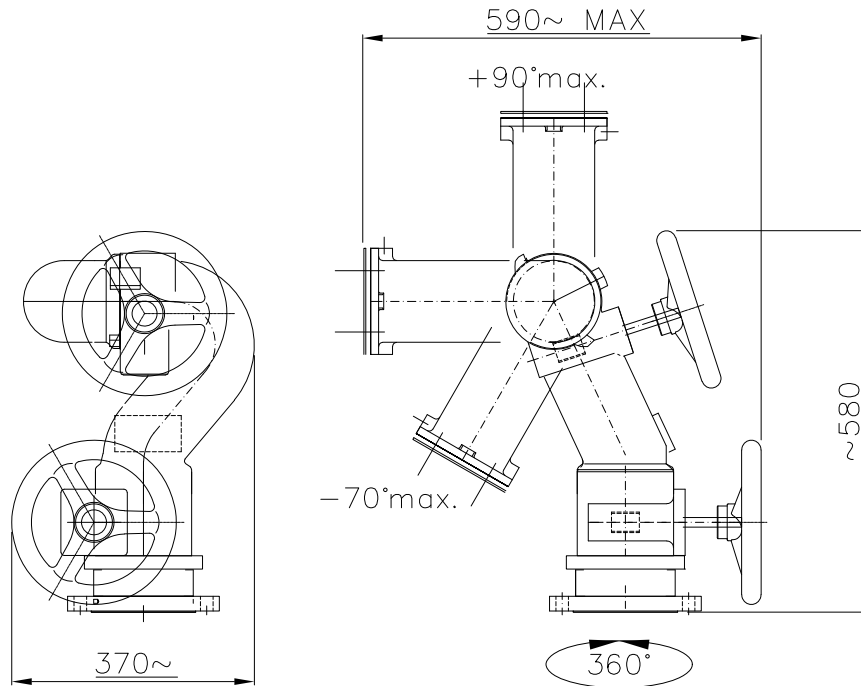
- > Application for electrical actuation
- > Application for oil-hydraulic actuation
- > Application for self-oscillating

www.fasspa.net

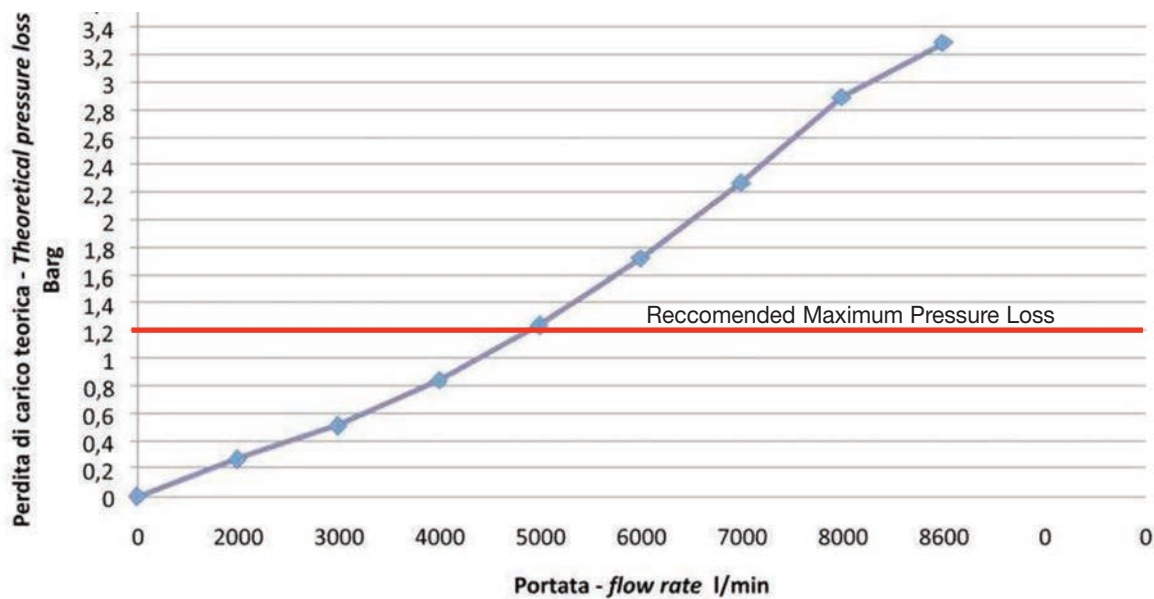
MONITOR DOC

Monitor in Bronze or corrosion proof light alloy

Mod. 2V - Manual control with double handwheel



Pressure Loss ΔP Vs Flow rate



www.fasspa.net