

MONITOR DOC KEY CONFIGURATION

Mod. DOC-A - Application for self oscillating

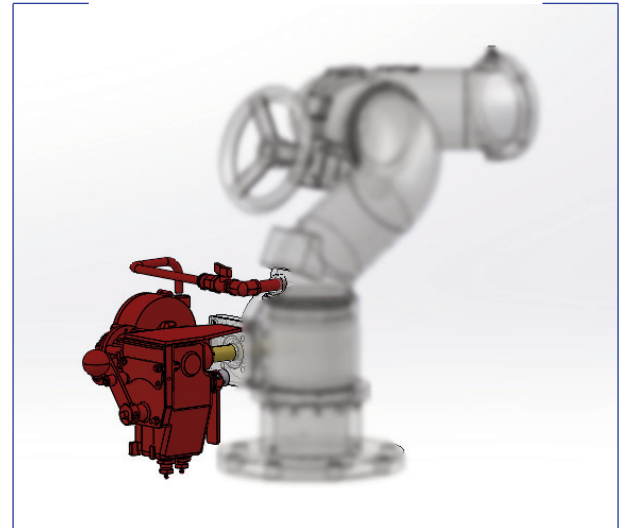
Characteristics

Automatic oscillation with Hydraulic Motor with lever for neutral position for manual with handwheel:

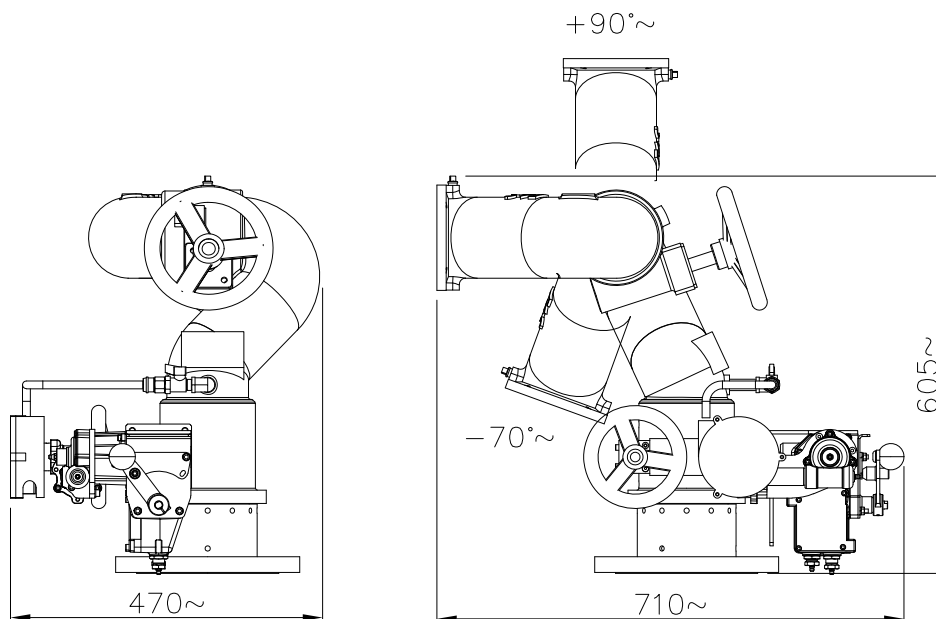
360° continuous, by 30° step

Elevation and deflection with handwheel: ~ +90° - 70°

Weight: Bronze ~63Kg - Light alloy ~40Kg



Layout & Overall Dimension - DOC Monitor self oscillating



360° CONTINUOUS BOTH DIRECTION
STEP 30°

www.fasspa.net