

MONITOR DOC KEY CONFIGURATION

Mod. DOC-E - Application for electrical actuation

Characteristics

Rotation with electric motor: From 0° to ± 175° (350° total)

Elevation and deflection with electric motor: ~ +90° - 70°

Weight: Bronze ~100Kg - Light alloy ~82Kg

Electric Motor: Actuator with Limit switch / torque switch integrated

IP Protection: IP 66/67

Custom. req. ATEX Version - IP68

Nema Protection equivalent (4 or 6P)

Operational Temp. (for IP): -25°C + 60°C

Operational Temp. (for ATEX): -20°C + 40°C

Custom. req. Available other Operational Temp.

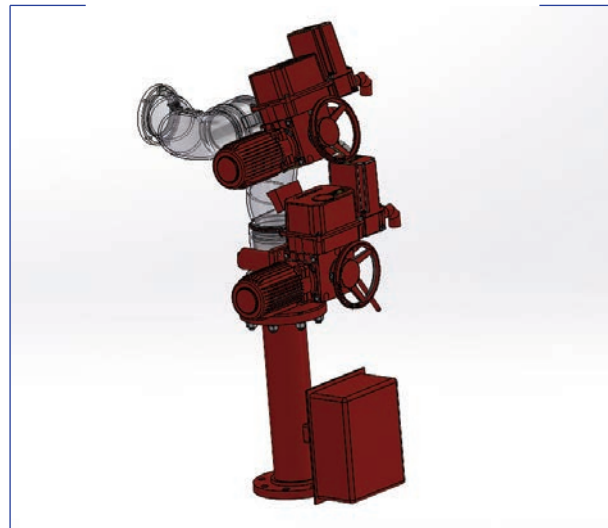
(min: -50°C - Max. + 60°C)

Feeding Voltage: 400V AC 50/60Hz. 3ph.

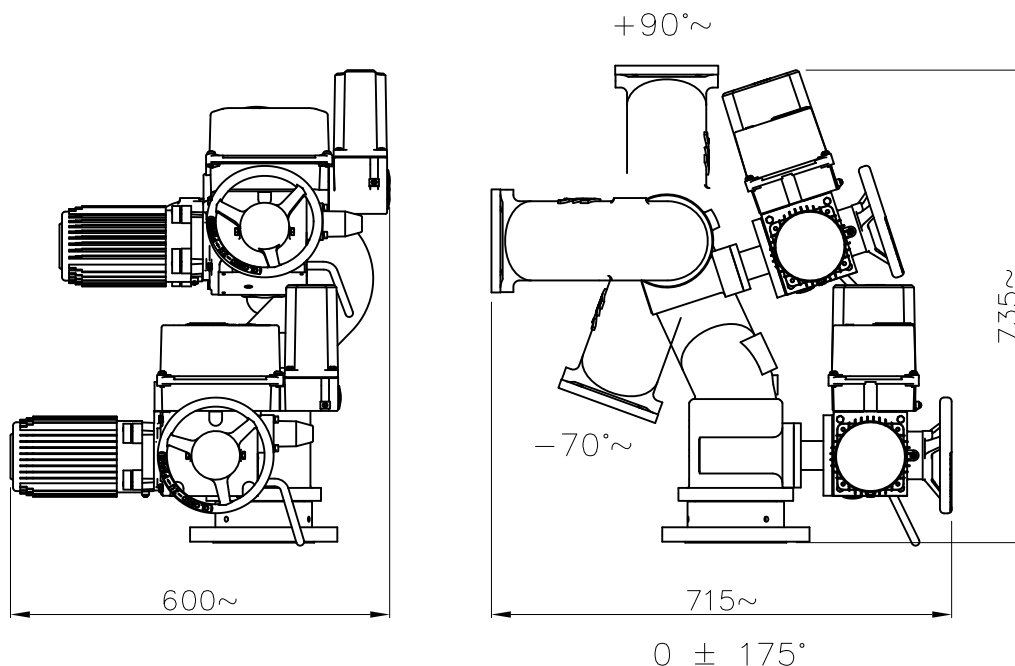
Custom. req. Other Feeding Voltage

Custom. req. Safety Integrity Level SIL 2 Certification

Custom. req. UL Approval



Layout & Overall Dimension - DOC Monitor with electrical actuation



www.fasspa.net