

MONITOR DOC KEY CONFIGURATION

Mod. DOC-O - Application for oil-hydraulic actuation

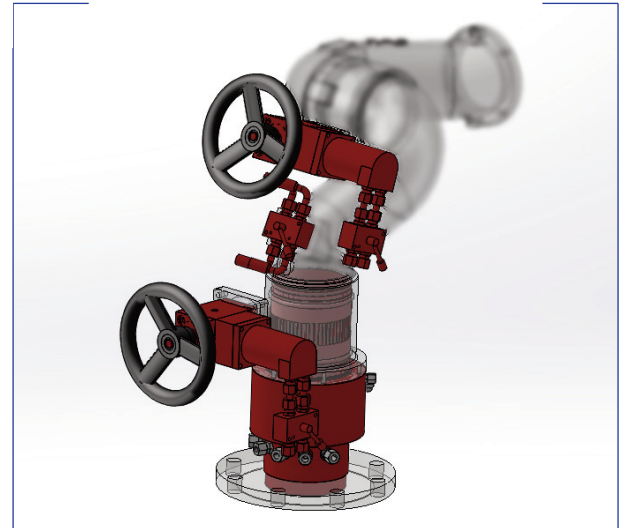
Characteristics

Rotation with oil hydraulic motor: 360° continuous
(both direction)

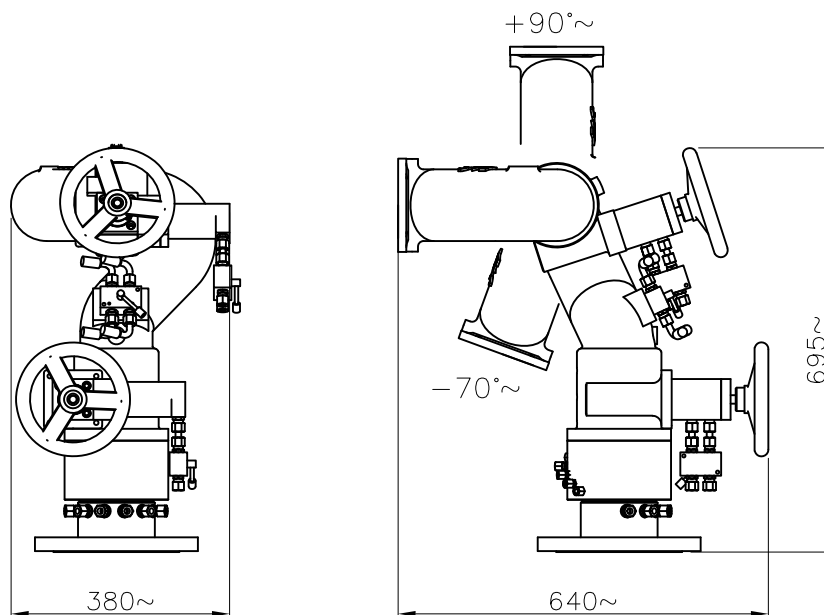
Elevation and deflection with oil hydraulic motor: ~ +90° - 70°

Weight: Bronze ~70Kg - Light alloy ~47Kg

Usable with electric-oil hydraulic mini power pack device
(see dedicated page)



Layout & Overall Dimension - DOC Monitor with oil-hydraulic actuation



360° CONTINUOUS BOTH DIRECTION

www.fasspa.net