

## Electric-Oil Hydraulic Mini Power Pack Device in IP or EExd Atex execution

In addition for Oil-Hydraulic casting and welded Monitor Mod. MBO 3, DOC-O, MKO

### Standard characteristics

**Body Size:** 3", 4", 6", 8"

**Body material:** Carbon steel

**Inlet and outlet flanges:** On request

**Coating:** Epoxy Primer + Polyuretanic red coat RAL3000,  
Total DFT >120 µm

**Mini power pack motors feeding voltage:** 400V AC 50/60  
Hz. 3 PH.

**Oil hydraulic reserve capacity:** 2 l each

**Weight:** 3": ~45 Kg - 4": ~50 Kg - 6": ~62 Kg - 8": ~80 Kg

### Available on Demand

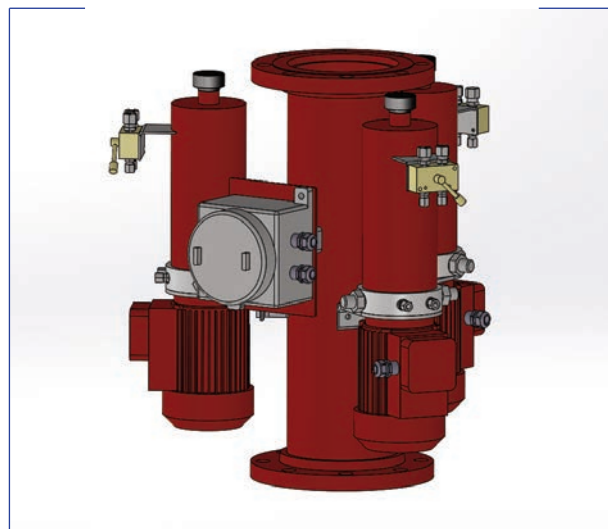
- > Diameter and height different from standard
- > Body Material: Stainless Steel
- > Coating: Other painting cycles

### Notes

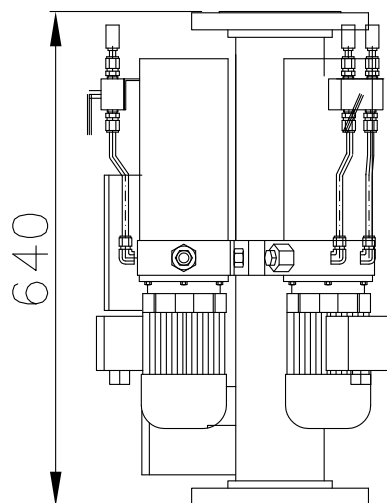
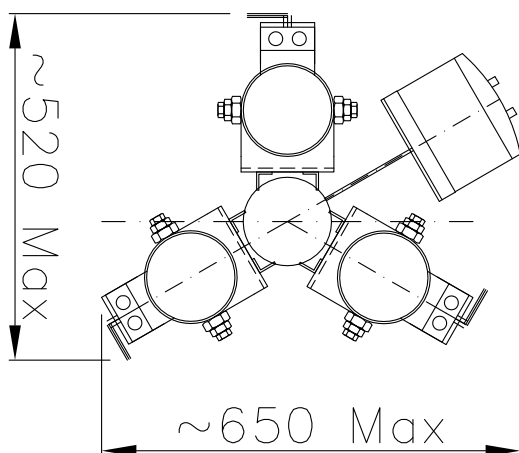
In case of inquiry and/or order specify the following datas:

- > Flanges type, body diameter, body material

### Approvals



### Layout & Overall Dimension



[www.fasspa.net](http://www.fasspa.net)