

MONITOR MB3

Monitor in Bronze or corrosion proof light alloy

Mod. MB3 L - Manual control with lever

Standard characteristics

Body Size: ~ Ø 95mm (casting)

Maximum Body Flow Rate: Max. 4500l/m

Pressure Loss: See diagram ΔP Vs Flow rate

Flow rate: On customer Request link to compatible nozzles or branchpipes

Flow rate recommended: See diagram Pressure Loss Vs Flow Rate

Recommended maximum pressure loss: 1,2 barg

Rotation with lever: 360° continuous

Elevation and deflection with lever: ~ +85° - 50°

Horizontal throw: See dedicated page on compatible nozzles or branchpipes

Test Pressure: 27 barg - **Custom. req.** Up to 48 barg

Base Flange: Carbon Steel

Outlet Flange: External diameter Ø160 mm

Coating: Epoxy Primer + Polyuretanic red coat RAL3000, Total DFT >120 µm

Weight: Bronze: ~24Kg - Light alloy: ~10Kg

Approvals



Optional

- > Pressure gauge on outlet
- > Drain Valve
- > Nozzle for thermal irradiation protection
- > Elevation lever with compass system

Compatible Nozzles Or Branchpipes

- > Foam and self inducing foam branchpipes mod. LS and LSA
- > Water branchpipe mod. LA
- > Jet spray nozzles mod. Mini GN - GN - Super GN
- > Jet spray self inducing nozzles mod. GNA & Super GNA

Available on Demand

- > Base Flange: Other material
- > Outlet Flange: Other outlet connection with adapter (NH, Ghost, Storz)
- > Coating: Other painting cycles

Key configuration

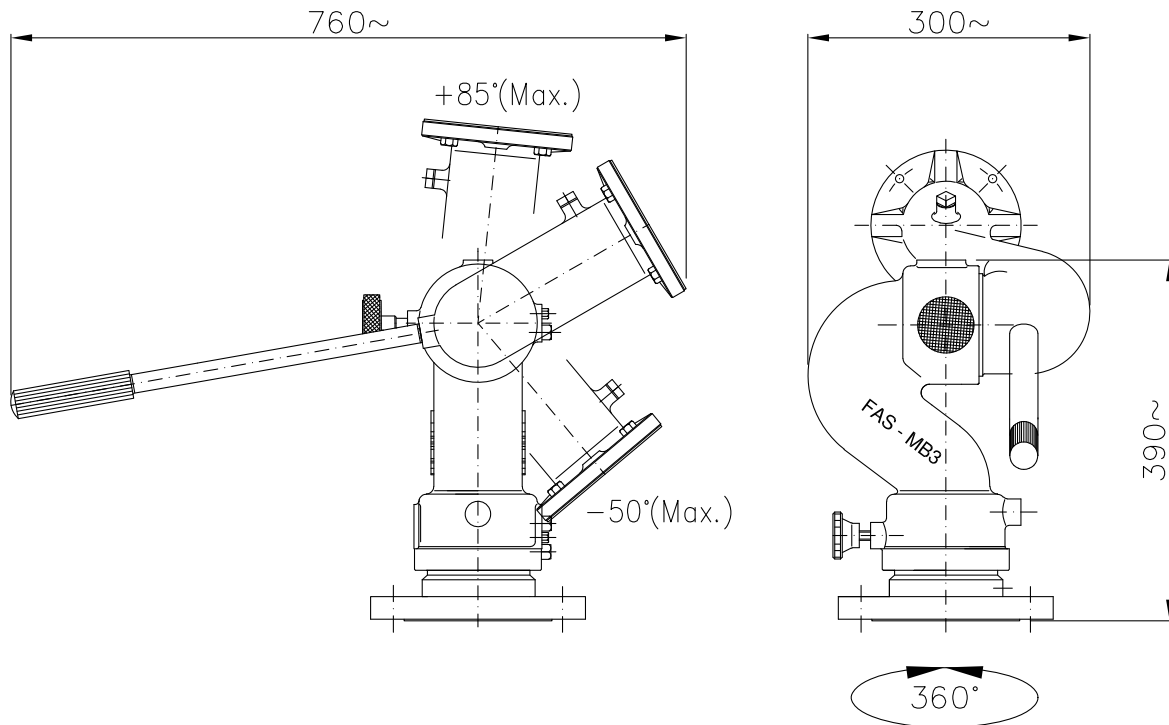
- > Application for manual control with double handwheel
- > Application for self-oscillating
- > Application for oil - hydraulic actuation

www.fasspa.net

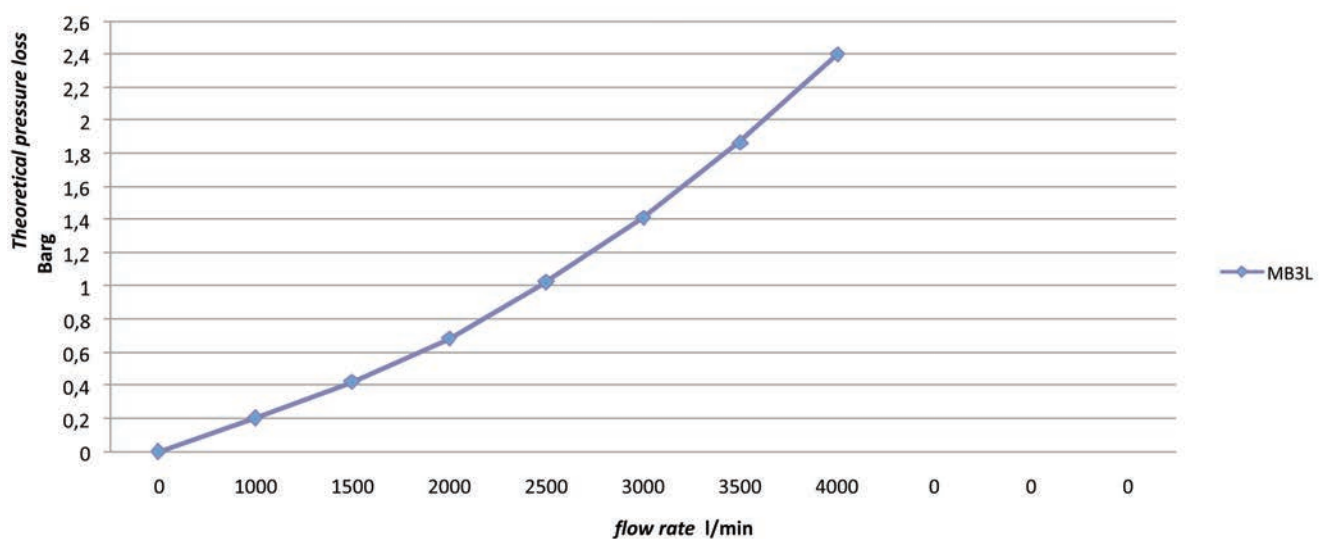
MONITOR MB3

Monitor in Bronze or corrosion proof light alloy

Layout & Overall Dimension - MB3 L Monitor



Pressure Loss ΔP Vs Flow rate



www.fasspa.net