

MONITOR MB3 KEY CONFIGURATION

Mod. MBA3 L - Application for self oscillating

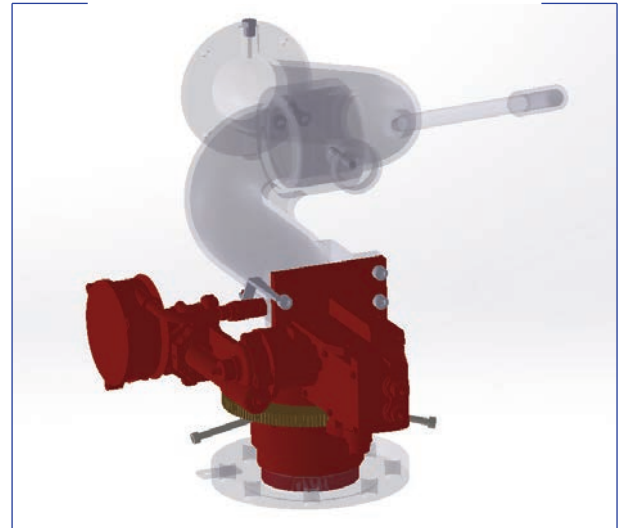
Standard characteristics

Body Size: ~ Ø 95mm (casting)

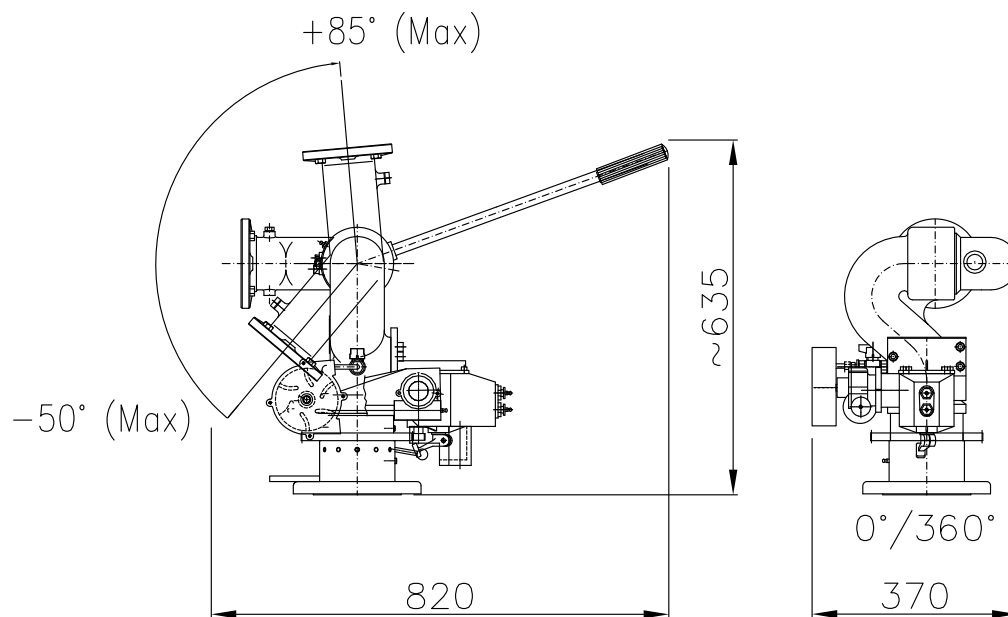
Automatic oscillation with Hydraulic Motor: 360° continuous, by 30° step

Elevation and deflection with lever: ~ +85° - 50°

Weight: Bronze: ~51Kg - Light alloy: ~31Kg



Layout & Overall Dimension - MBA3 L Monitor self oscillating



www.fasspa.net