

## MONITOR MBA4 KEY CONFIGURATION

### Mod. MBA4 L - Application for self oscillating

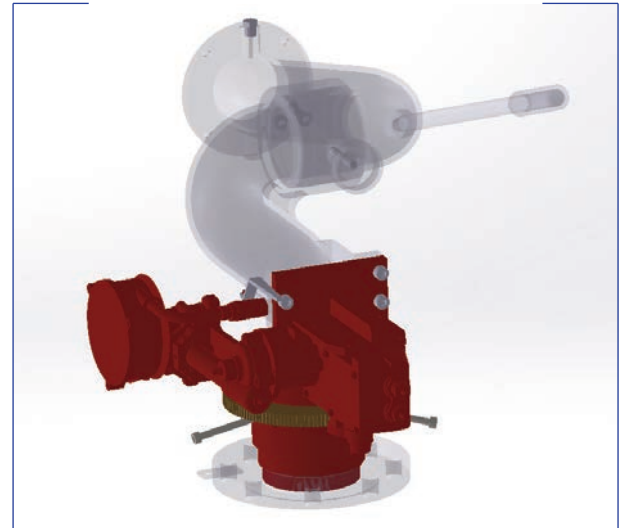
#### Standard characteristics

**Body Size:** ~ Ø 125mm (casting)

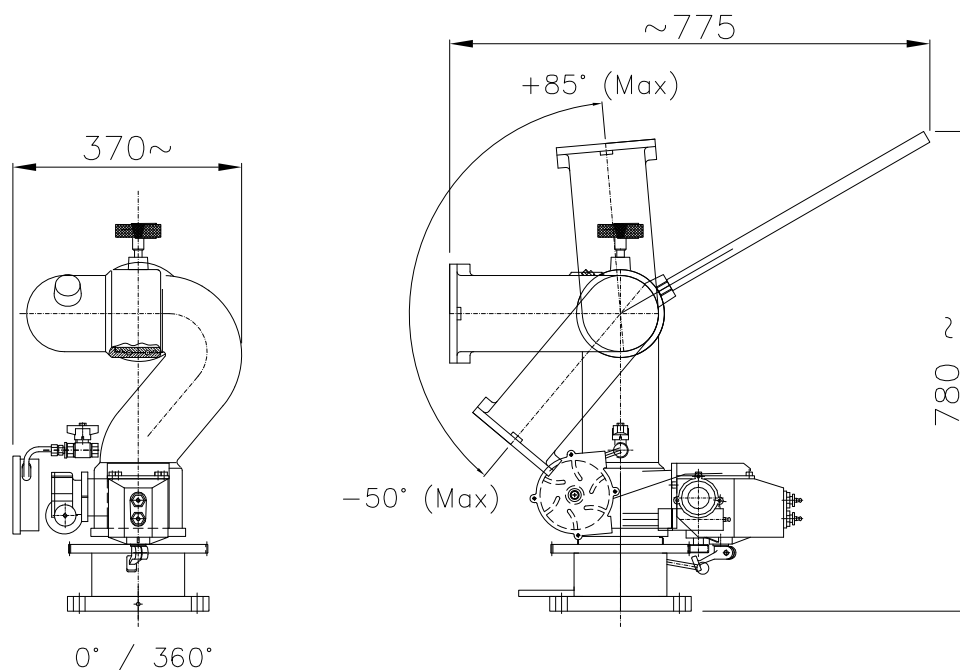
**Automatic oscillation with Hydraulic Motor:** 360° continuous, by 30° step

**Elevation and deflection with lever:** ~ +85° - 50°

**Weight:** Bronze: ~81Kg - Light alloy: ~51Kg



### Layout & Overall Dimension - MBA4 L Monitor self oscillating



[www.fasspa.net](http://www.fasspa.net)