

MONITOR MB3 KEY CONFIGURATION

Mod. MBO3 - Application with oil-hydraulic actuation

Standard characteristics

Body Size: ~ Ø 95mm (casting)

Rotation with Oil Hydraulic Motor: 360° continuous

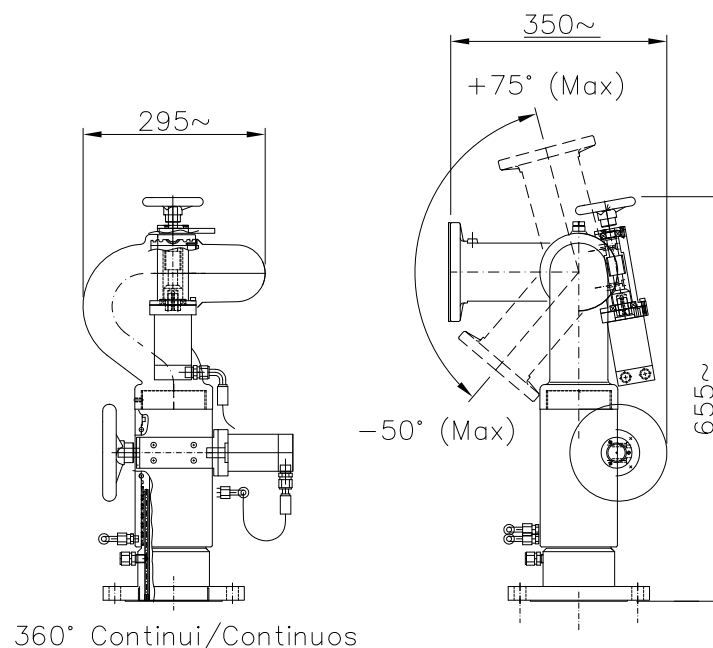
Elevation and Deflection with Oil Hydraulic Motor: ~ +75° - 50°

Weight: for Ø 95mm - Bronze: ~37Kg - Light alloy: ~23Kg

Usable with electric-oil hydraulic mini power pack device
(see dedicated page)



Layout & Overall Dimension - MBO3 Monitor with oil-hydraulic actuation



www.fasspa.net