

MONITOR MKDB

Double branchpipe manual monitor with double handwheel

Standard characteristics

Body Material: Carbon Steel or Stainless Steel

Body Size: 3",4"

Maximum Body Flow Rate: for 3": Max. 6000l/min
for 4": Max. 8600l/min

Pressure Loss: See diagram ΔP Vs Flow rate

Flow rate: On customer Request link to compatible nozzles or branchpipes

Flow rate recommended: See diagram Pressure Loss Vs Flow Rate

Rotation and deflection with handwheel: 360°

Elevation with handwheel: ~ +70° - 45°

Horizontal throw: See dedicated page of compatible nozzle or branchpipes

Test Pressure: 27 barg - **Custom. req.** Up to 48 barg

Base Flange: Carbon Steel

Outlet Flange: External diameter $\varnothing 160$ mm or $\varnothing 240$ mm

Coating: Epoxy Primer + Polyurethane red coat RAL3000, Total DFT >120 μ m

Weight: for 3": ~60Kg
for 4": ~70Kg

Approvals



Optional

- > Pressure gauge on outlet
- > Drain Valve

Compatible Nozzles Or Branchpipes

- > Foam and self inducing foam branchpipes mod. LS and LSA
- > Water branchpipe mod. LA
- > Jet spray nozzles mod. Mini GN - GN - Super GN
- > Jet spray self inducing nozzles mod. GNA & Super GNA

Available on Demand

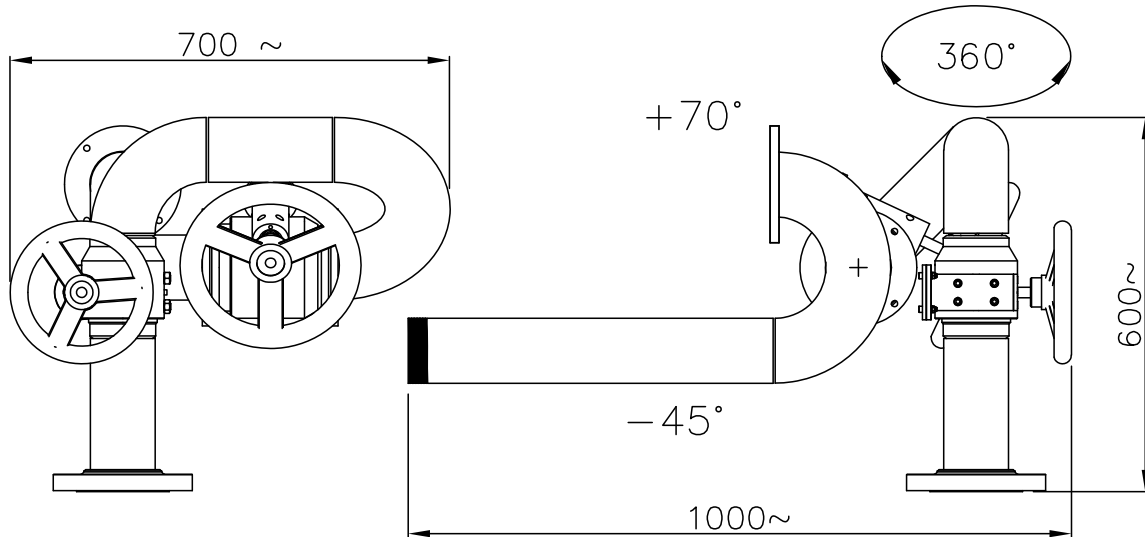
- > Base Flange: Other material
- > Outlet Flange: Other outlet connection with adapter (NH, Ghost, Storz)
- > Coating: Other painting cycles

www.fasspa.net

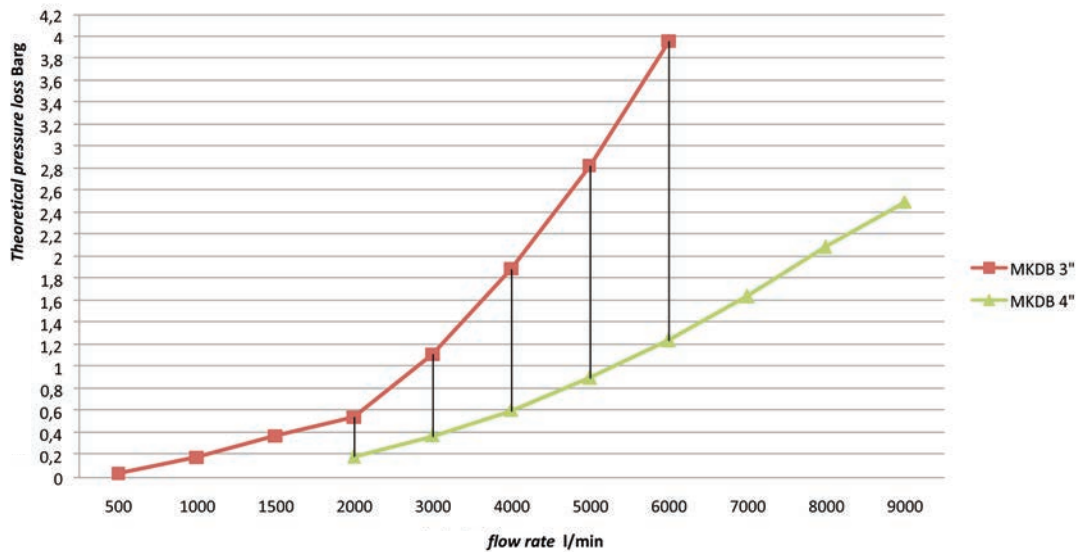
MONITOR MKDB

Double branchpipe manual monitor with double handwheel

Layout & Overall Dimension - MKDB Monitor



Pressure Loss ΔP Vs Flow rate



www.fasspa.net