

MONITOR MKW KEY CONFIGURATION

Mod. MKE - Electric controlled monitor in IP or EExd Atex execution

Standard characteristics

Body Size: 3", 4", 6", 8"

Rotation with electric motor: 360° continuous

Elevation and deflection with electric motor : ~ +70° - 80°

Weight: for 3": ~ 95 Kg
for 4": ~ 105 Kg
for 6": ~ 120 Kg
for 8": ~ 160 Kg

Electric Motor: Actuator with Limit switch / torque switch integrated

IP Protection: IP 66/67

Custom. req. ATEX Version - IP68

Nema Protection equivalent (4 or 6P)

Operational Temp. (for IP): -25°C + 60°C

Operational Temp. (for ATEX): -20°C + 40°C

Custom. req. Available other Operational Temp.

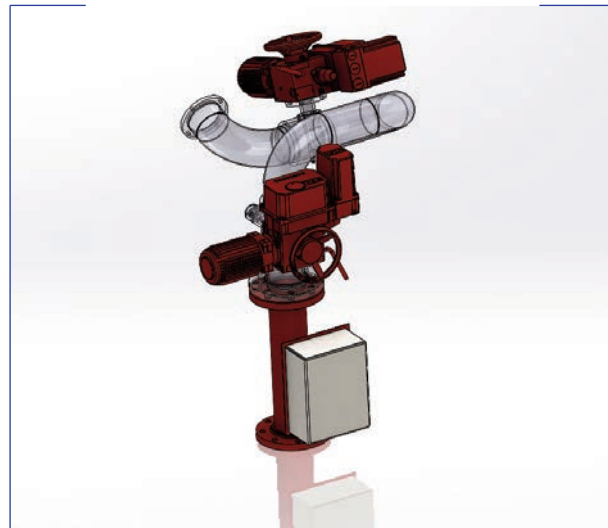
(min: -50°C - Max. + 60°C)

Feeding Voltage: 400V AC 50/60Hz. 3ph.

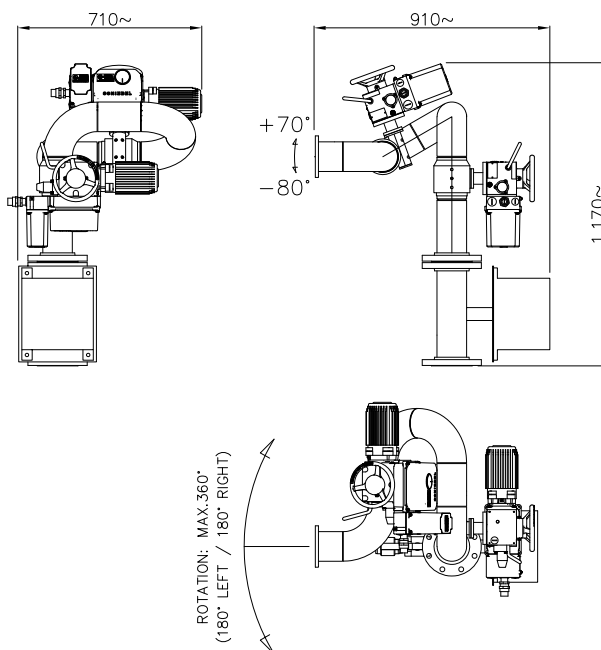
Custom. req. Other Feeding Voltage

Custom. req. Safety Integrity Level SIL 2 Certification

Custom. req. UL Approval



Layout & Overall Dimension - MKE Electric controlled monitor



www.fasspa.net