

## MONITOR MKW KEY CONFIGURATION

Mod. MKO - Oil hydraulic controlled monitor with distribution joint

### Standard characteristics

**Body Size:** 3", 4", 6", 8"

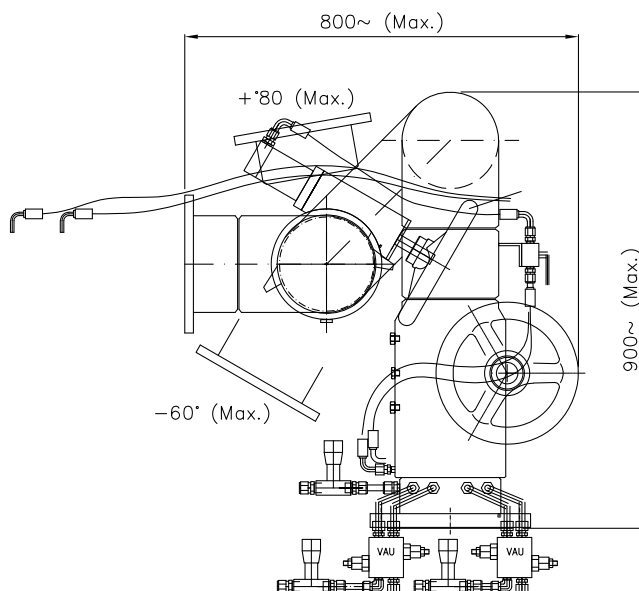
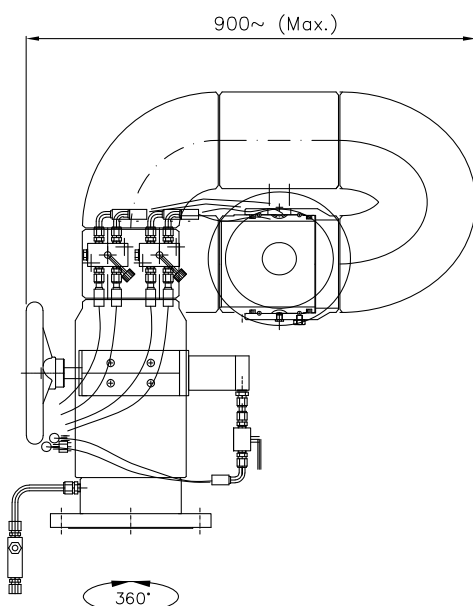
**Rotation with Oil Hydraulic Motor:** 360° continuous,  
by 30° step

**Elevation and deflection with Oil Hydraulic Motor:** ~ +80° - 60°

**Weight:** for 3": ~ 50 Kg  
for 4": ~ 60 Kg  
for 6": ~ 110 Kg  
for 8": ~ 170 Kg



### Layout & Overall Dimension - MKO Oil hydraulic controlled monitor



[www.fasspa.net](http://www.fasspa.net)