

# MONITOR MKP

Portable manual monitor

## Standard characteristics

**Body Material:** Stainless Steel

**Body Size:** 3"

**Maximum Body Flow Rate:** Max. 1500l/min

**Pressure Loss:** See diagram  $\Delta P$  Vs Flow rate

**Flow rate:** On customer Request link to compatible nozzles or branchpipes

**Flow rate recommended:** See diagram Pressure Loss Vs Flow Rate

**Rotation with handwheel:** 120° continuous

**Elevation with lever:** ~ +30° +90°

**Horizontal throw:** See dedicated page on compatible nozzles or branchpipes

**Test Pressure:** 27 barg - **Custom. req.** Up to 48 barg

**Feeding coupling:** UNI - BS336 - STORZ - AFNOR - GOST

**Outlet Flange:** Flanged  $\varnothing 160\text{mm}$

**Coating:** Epoxy Primer + Polyuretanic red coat RAL3000, Total DFT >120  $\mu\text{m}$

**Weight:** 25Kg

## Approvals



## Optional

> Pressure gauge on outlet

## Compatible Nozzles Or Branchpipes

> Jet spray nozzles mod. Mini GN - GN

## Available on Demand

- > Feeding coupling: Other coupling
- > Outlet Flange: Other outlet connection with adapter (NH, Ghost, Storz)
- > Coating: Other painting cycles

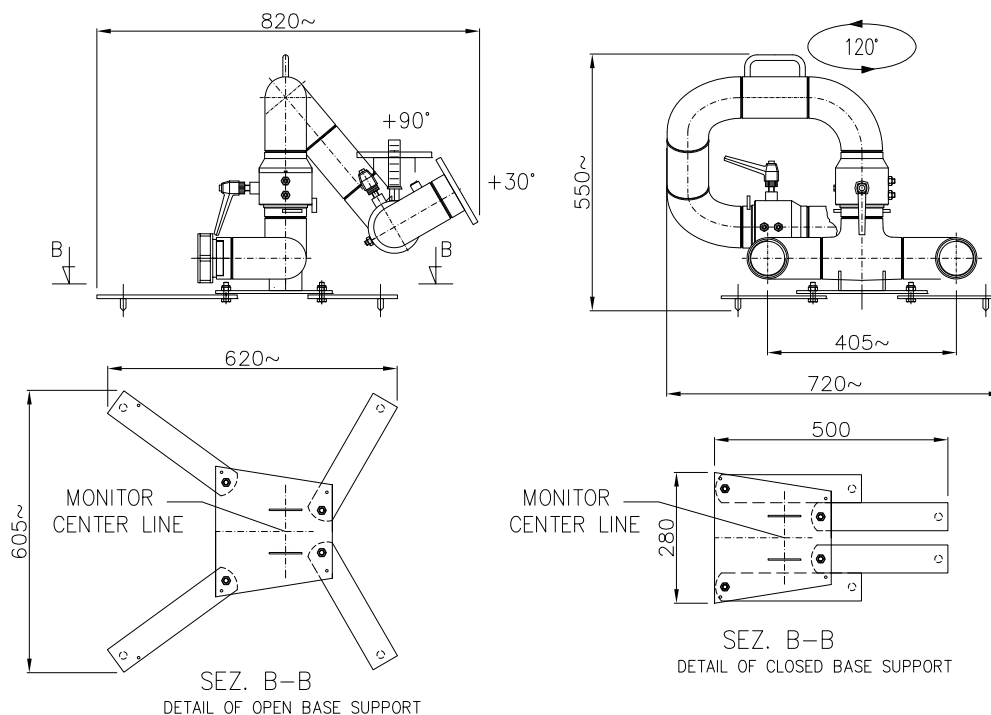
[www.fasspa.net](http://www.fasspa.net)



# MONITOR MKP

Portable manual monitor

## Layout & Overall Dimension - MKP Monitor



## Pressure Loss $\Delta P$ Vs Flow rate

