

## Mod. Flx2

Vertical double bladder tank with foam inside the bladder, 2014/68 UE PED certificate

### Standard characteristics

**Body Material:** Carbon Steel

**Manhole:** Ø18"

**Membrane material:** Neoprene

**Design pressure:** 12 barg

**Test Pressure:** 18 barg

**Maximum working pressure:** 12 barg

**External finish:** Epoxy Primer + Polyuretanic red coat  
RAL3000, Total DFT >120 µm

**Capacity:** From 1200 l (600x2) to 20000 l (10000x2)

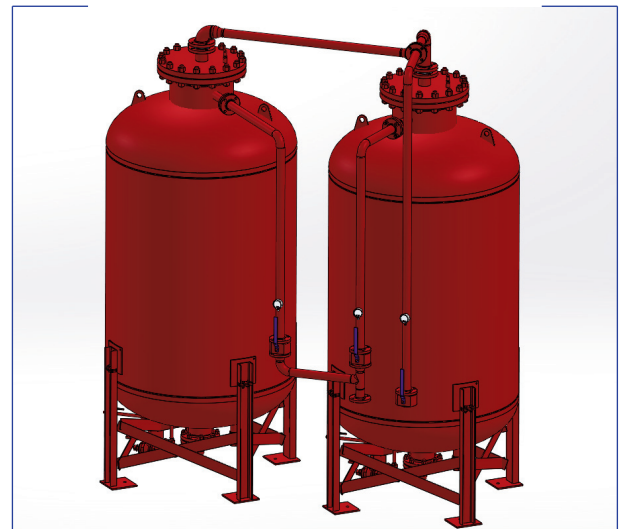
**Foaming charge control:** With visual level indicator

**Tie rods and nuts in Stainless Steel**

**Mixer:** See dedicated page

**Suitable for seismic zone level 2b UBC - PGA 0,25 g**

### Approvals



### Optional

- > Manual pump
- > Ladder for manhole access
- > Vents control kit at mixer's height
- > Base frame

### Notes

In case of inquiry and/or order specify the following datas:

- > Tank capacity, flow rate range, mixing percentage, flow direction, mixer's flange

### Available on Demand

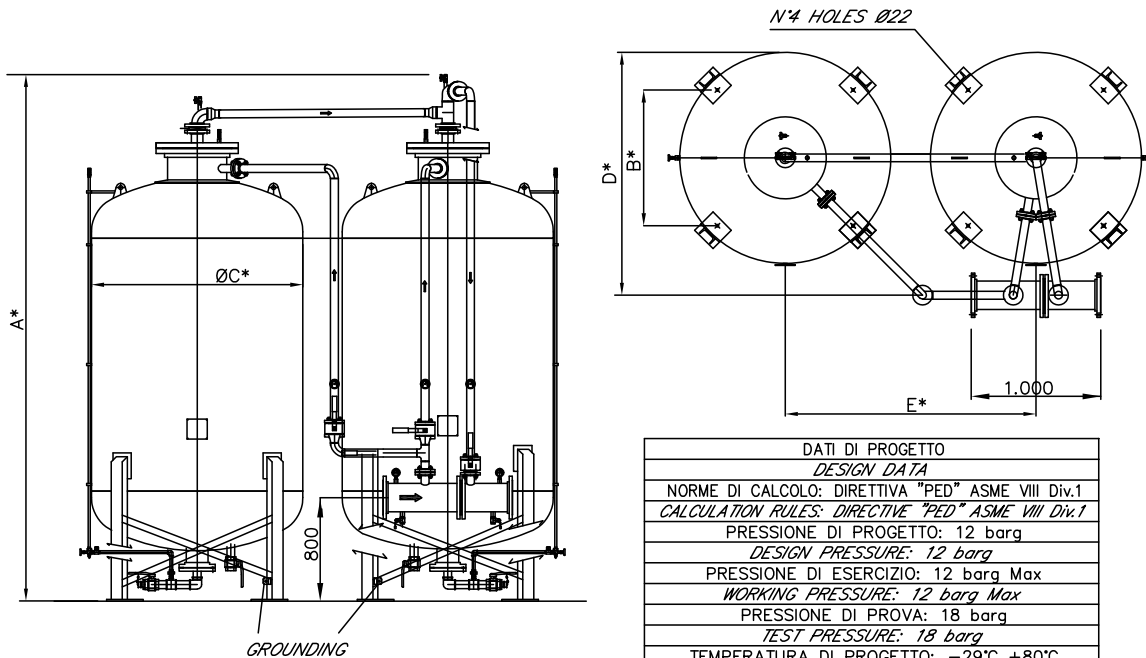
- > Body Material: Other Material
- > Different Design Pressure
- > Capacity: 11000 liters or 12000 liters
- > Insulated tank
- > Coating: Other Painting Cycles
- > ASME Stamped
- > Designed for other seismic zone

For additional options or special versions contact FAS SpA

[www.fasspa.net](http://www.fasspa.net)

## Mod. Flx2

Vertical double bladder tank with foam inside the bladder, 2014/68 UE PED certificate



DATI DI PROGETTO	
DESIGN DATA	
NORME DI CALCOLO: DIRETTIVA "PED" ASME VIII Div.1	
CALCULATION RULES: DIRECTIVE "PED" ASME VIII Div.1	
PRESSIONE DI PROGETTO: 12 barg	
DESIGN PRESSURE: 12 barg	
PRESSIONE DI ESERCIZIO: 12 barg Max	
WORKING PRESSURE: 12 barg Max	
PRESSIONE DI PROVA: 18 barg	
TEST PRESSURE: 18 barg	
TEMPERATURA DI PROGETTO: -29°C +80°C	
DESIGN TEMPERATURE: -29°C +80°C	
EFFICIENZA GIUNTI: FONDI=1 FASCIAME=0.85	
JOINT EFFICIENCY: HEADS=1 - SHELL=0.85	
SOVRASPESSORE DI CORROSIONE: NO	
CORROSION ALLOWANCE: NO	
RAGGI X: 10%	
X RAYS: 10%	
CLASSIFICAZIONE SISMICA:	
SEISMIC CLASSIFICATION:	
ZONA 2 (ITALIA) - ZONA 2b (UBC)	
ZONE 2 (ITALY) - ZONE 2b (UBC)	
ACCELERAZIONE AL SUOLO: 0,225 g (MAX)	
GROUND ACCELERATION: 0,225 g (MAX)	

\* PER INFORMAZIONI SULLE DIMENSIONI SI PREGA DI CONTATTARE L'UFFICIO TECNICO DI FAS

\* FOR DIMENSIONS PLEASE CONTACT THE FAS TECHNICAL DEPARTMENT

MODELLO	CAPACITA'
MODEL	CAPACITY
FI-6x2	1200 l
FI-10x2	2000 l
FI-15x2	3000 l
FI-20x2	4000 l
FI-25x2	5000 l
FI-30x2	6000 l
FI-40x2	8000 l
FI-50x2	10000 l
FI-60x2	12000 l
FI-70x2	14000 l
FI-80x2	16000 l
FI-90x2	18000 l
FI-100x2	20000 l

All rights reserved. No part of this drawing may be reproduced or transmitted in any form or by any means, without the prior consent in writing of F.A.S.

Il presente disegno è di proprietà F.A.S. E' VIETATO riprodurlo e falsificarlo.