

Mod. H

Horizontal bladder tank with foam outside the bladder, 2014/68 UE PED certificate

Standard characteristics

Body Material: Carbon Steel

Manhole: Ø18"

Membrane material: Neoprene

Design pressure: 12 barg

Test Pressure: 18 barg

Maximum working pressure: 12 barg

External finish: Epoxy Primer + Polyuretanic red coat
RAL3000, Total DFT >120 µm

Capacity: From 1000 to 10000 liters

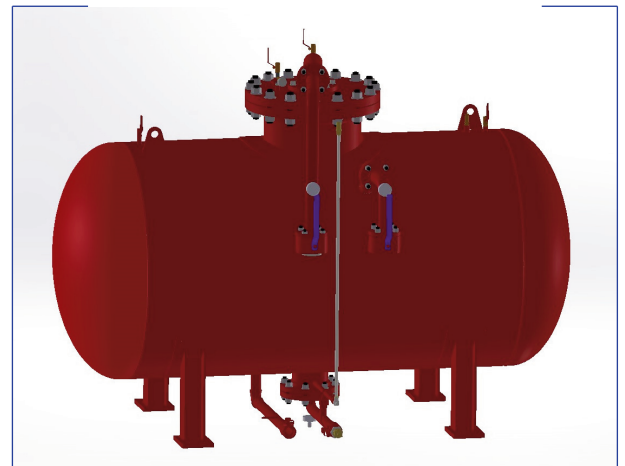
Foaming charge control: With visual level indicator

Tie rods and nuts in Stainless Steel

Mixer: See dedicated page

Suitable for seismic zone level 2b UBC - PGA 0,25 g

Approvals



Optional

- > Manual pump
- > Ladder for manhole access
- > Vents control kit at mixer's height
- > Base frame

Notes

In case of inquiry and/or order specify the following datas:

- > Tank capacity, flow rate range, mixing percentage, flow direction, mixer's flange

Available on Demand

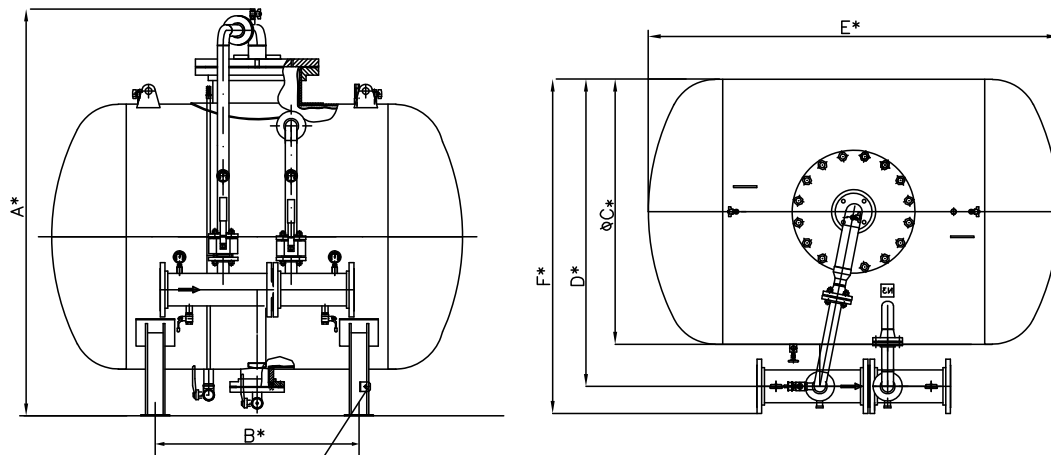
- > Body Material: Other Material
- > Different Design Pressure
- > Capacity: 11000 liters or 12000 liters
- > Insulated tank
- > Coating: Other Painting Cycles
- > ASME Stamped
- > Designed for other seismic zone

For additional options or special versions contact FAS SpA

www.fasspa.net

Mod. H

Horizontal bladder tank with foam outside the bladder, 2014/68 UE PED certificate



GROUNDING

| DATI DI PROGETTO | |
|--|--|
| DESIGN DATA | |
| NORME DI CALCOLO: DIRETTIVA "PED" ASME VIII Div.1 | |
| CALCULATION RULES: DIRECTIVE "PED" ASME VIII Div.1 | |
| PRESSIONE DI PROGETTO: 12 barg | |
| DESIGN PRESSURE: 12 barg | |
| PRESSIONE DI ESERCIZIO: 12 barg Max | |
| WORKING PRESSURE: 12 barg Max | |
| PRESSIONE DI PROVA: 18 barg | |
| TEST PRESSURE: 18 barg | |
| TEMPERATURA DI PROGETTO: -29°C +80°C | |
| DESIGN TEMPERATURE: -29°C +80°C | |
| EFFICIENZA GIUNTI: FONDI=1 FASCIAME=0.85 | |
| JOINT EFFICIENCY: HEADS=1 - SHELL=0.85 | |
| SOVRASPESORE DI CORROSIONE: NO | |
| CORROSION ALLOWANCE: NO | |
| RAGGI X: 10% | |
| X RAYS: 10% | |
| CLASSIFICAZIONE SISMICA: | |
| SEISMIC CLASSIFICATION: | |
| ZONA 2 (ITALIA) - ZONA 2b (UBC) | |
| ZONE 2 (ITALY) - ZONE 2b (UBC) | |
| ACCELERAZIONE AL SUOLO: 0,225 g (MAX) | |
| GROUND ACCELERATION: 0,225 g (MAX) | |

- * PER INFORMAZIONI SULLE DIMENSIONI SI PREGA DI CONTATTARE L'UFFICIO TECNICO DI FAS
- * FOR DIMENSIONS PLEASE CONTACT THE FAS TECHNICAL DEPARTMENT

| MODELLO | CAPACITA' |
|---------|-----------|
| MODEL | CAPACITY |
| H-10 | 1000 l |
| H-15 | 1500 l |
| H-20 | 2000 l |
| H-25 | 2500 l |
| H-30 | 3000 l |
| H-40 | 4000 l |
| H-50 | 5000 l |
| H-60 | 6000 l |
| H-70 | 7000 l |
| H-80 | 8000 l |
| H-90 | 9000 l |
| H-100 | 10000 l |

All rights reserved. No part of this drawing may be reproduced or transmitted in any form or by any means, without the prior consent in writing of F.A.S.

Il presente disegno è di proprietà F.A.S. E' VIETATO riprodurlo e falsificarlo.

www.fasspa.net